

MONOXIVENT®

Source Capture Systems

Operation and Maintenance Manual

Technorail Exhaust Extraction System



MORE THAN A CLEAN SOLUTION



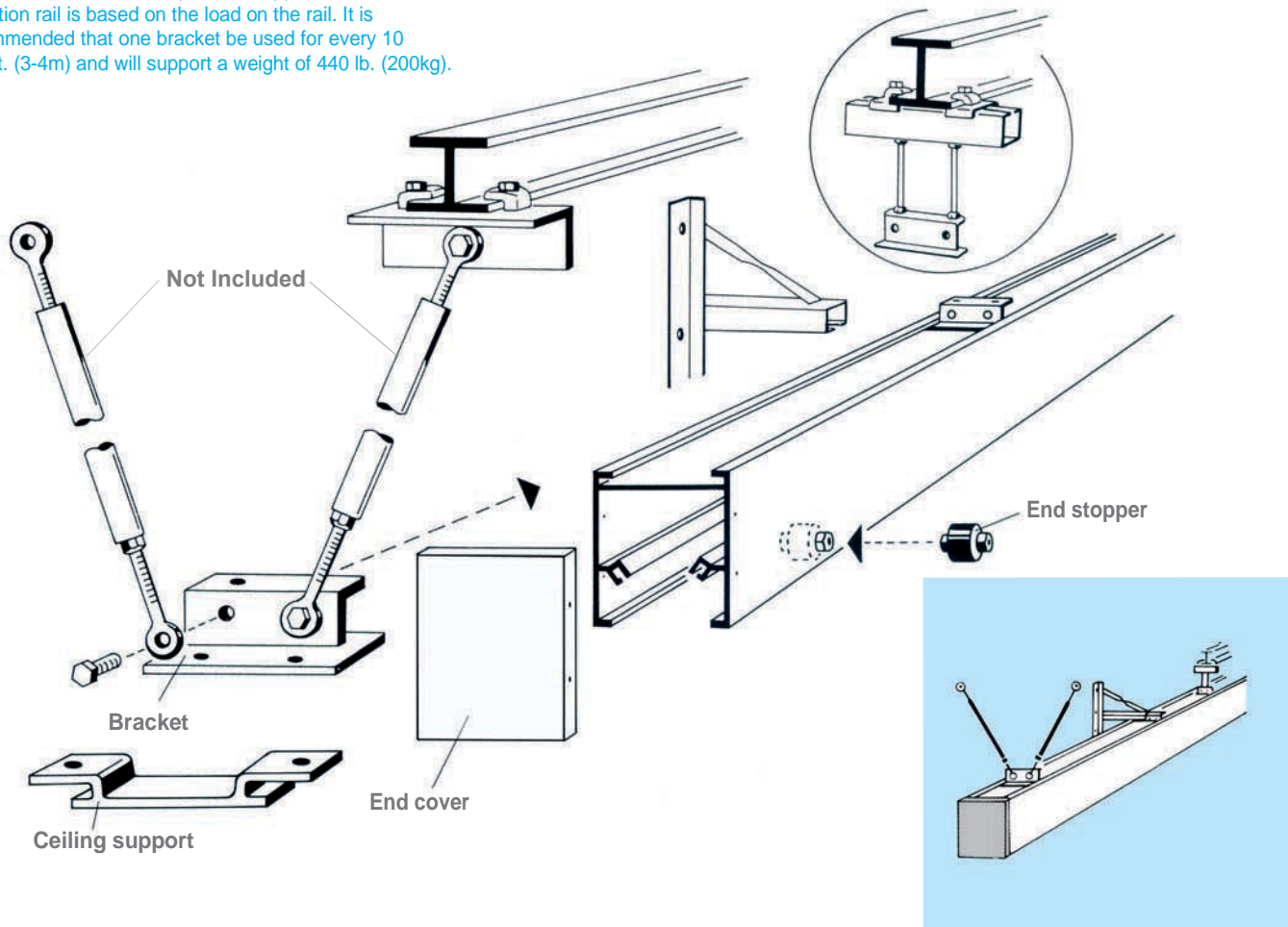
MONOXIVENT - SOURCE CAPTURE SYSTEMS

1306 Mill St., Rock Island, IL 61201
877-608-4383 - info@monoxivent.com
monoxivent.com

1

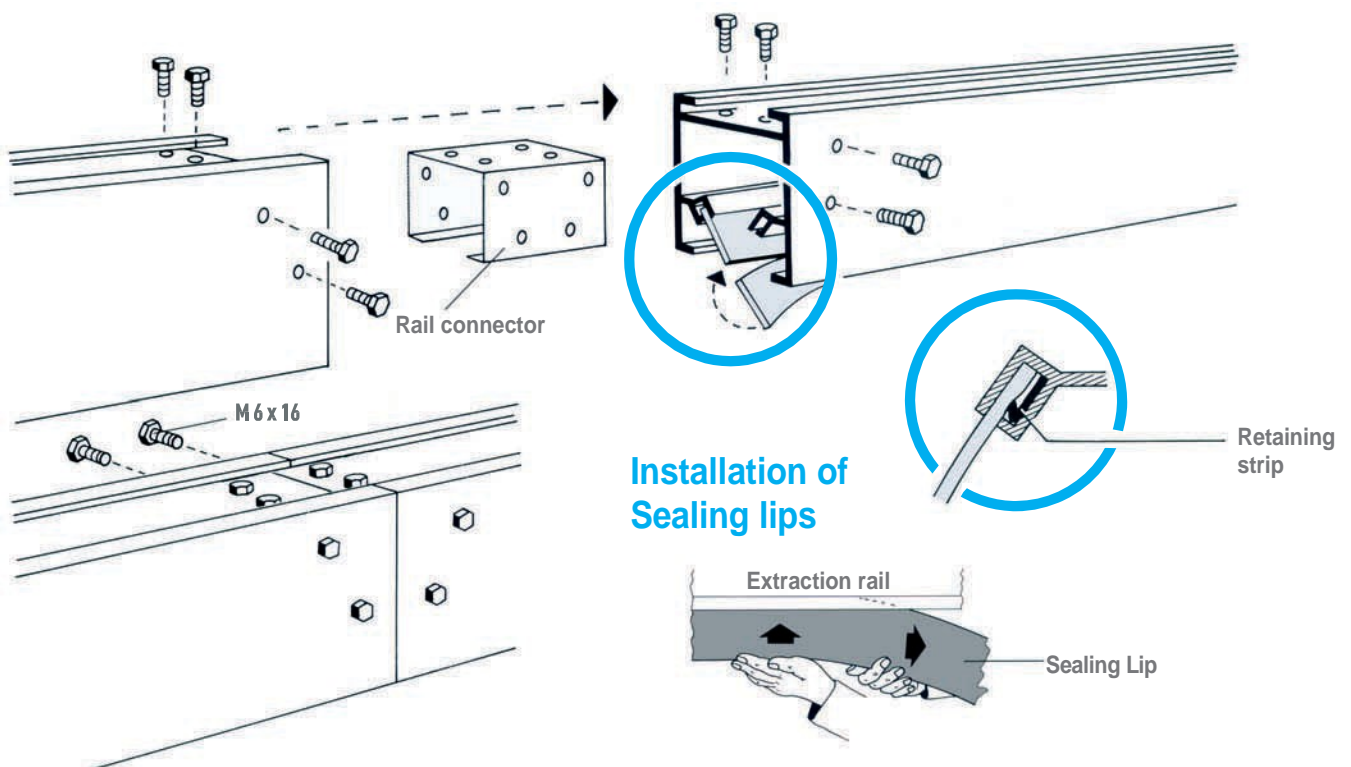
Suspension of extraction rail

The number of brackets required to support the Extraction rail is based on the load on the rail. It is Recommended that one bracket be used for every 10 to 13 ft. (3-4m) and will support a weight of 440 lb. (200kg).

**2**

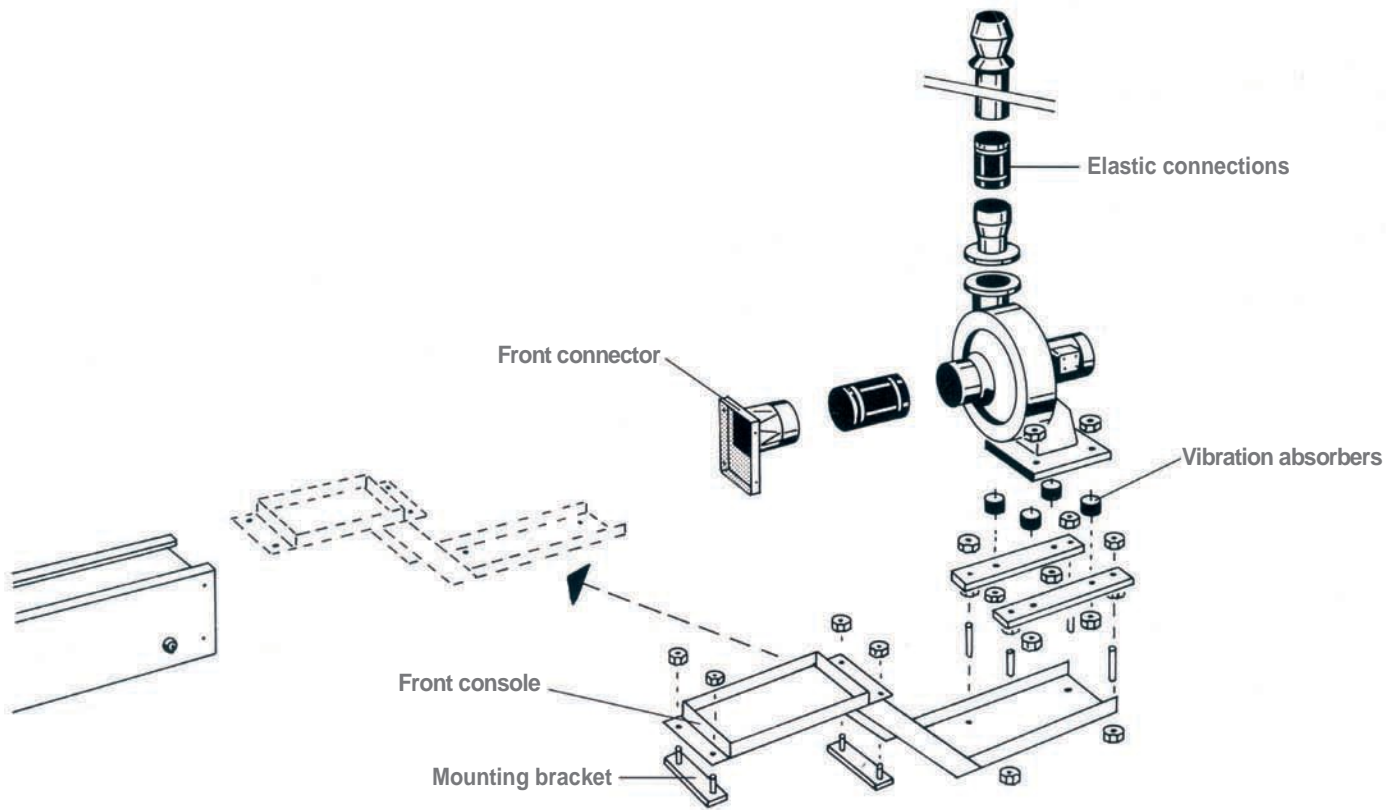
Connection of rail segments

NOTE: For each foot (meter) of rail, 2x3 ft. (1m) lip seal and 2 x 1 piece retaining strips are required.



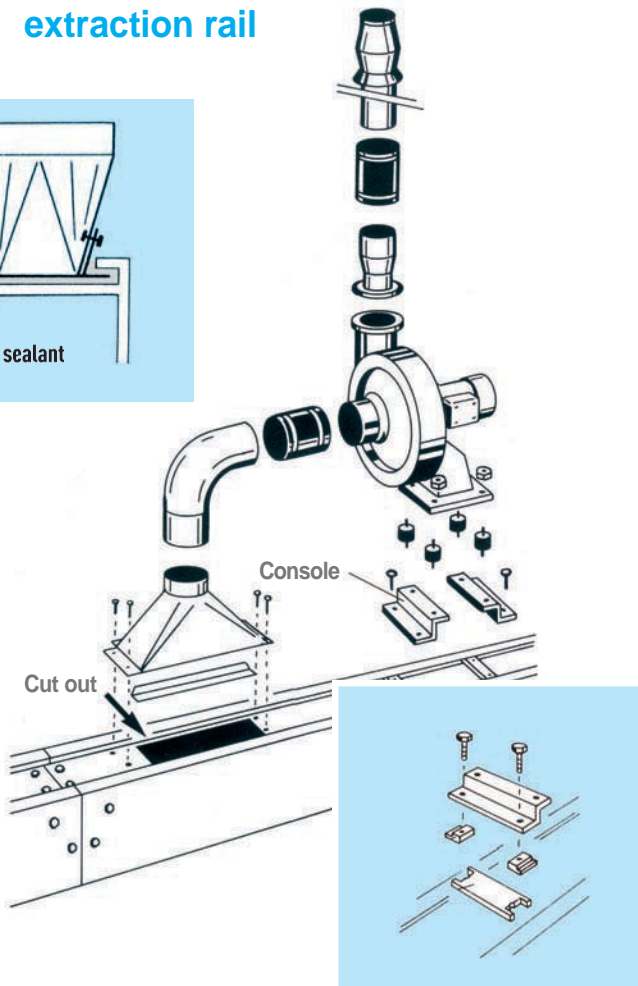
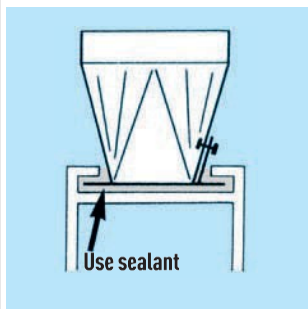
3^b

Ventilation connection at the front of the rail, with front console



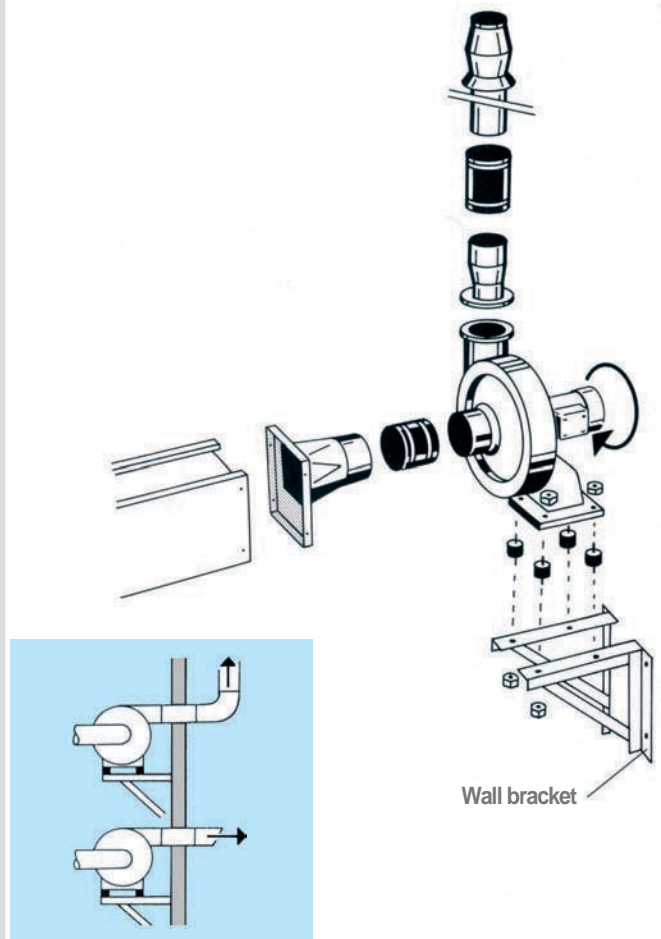
3^a

Connection of ventilation duct to the extraction rail

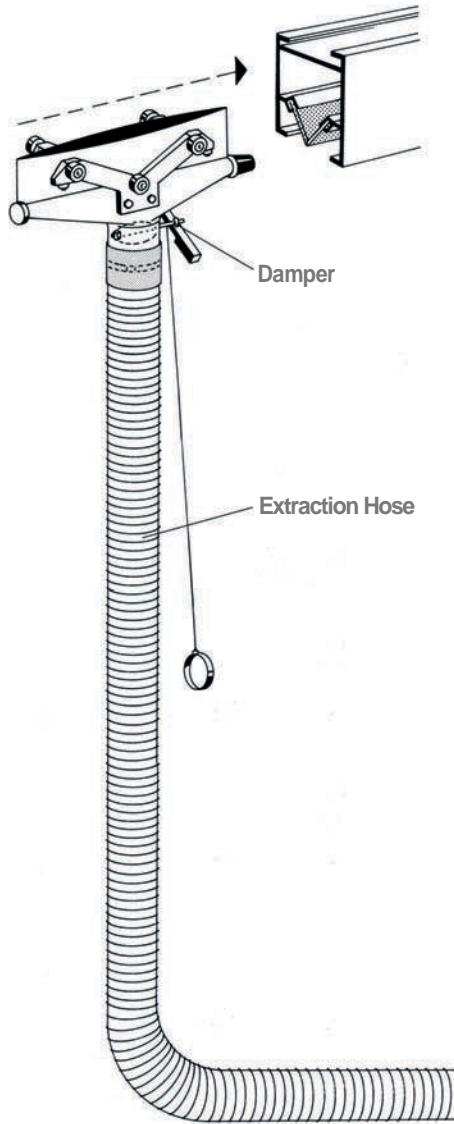


3^c

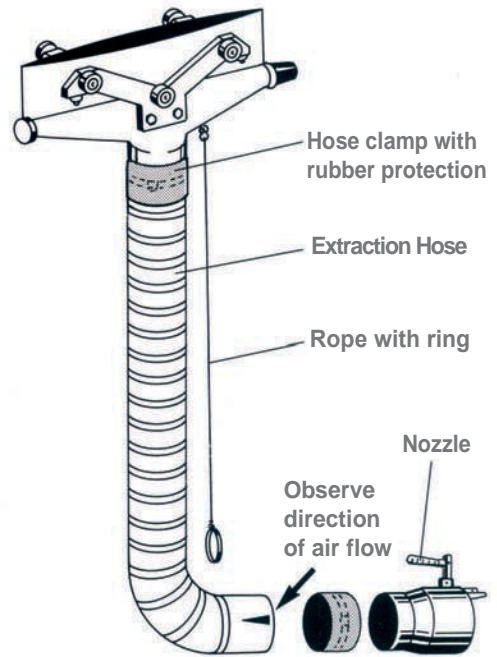
Ventilation connection at the front of the rail



4^a Trolley with damper,
Cable and ring.



4^b Trolley with cable and nozzle



4^c A variety of nozzles

