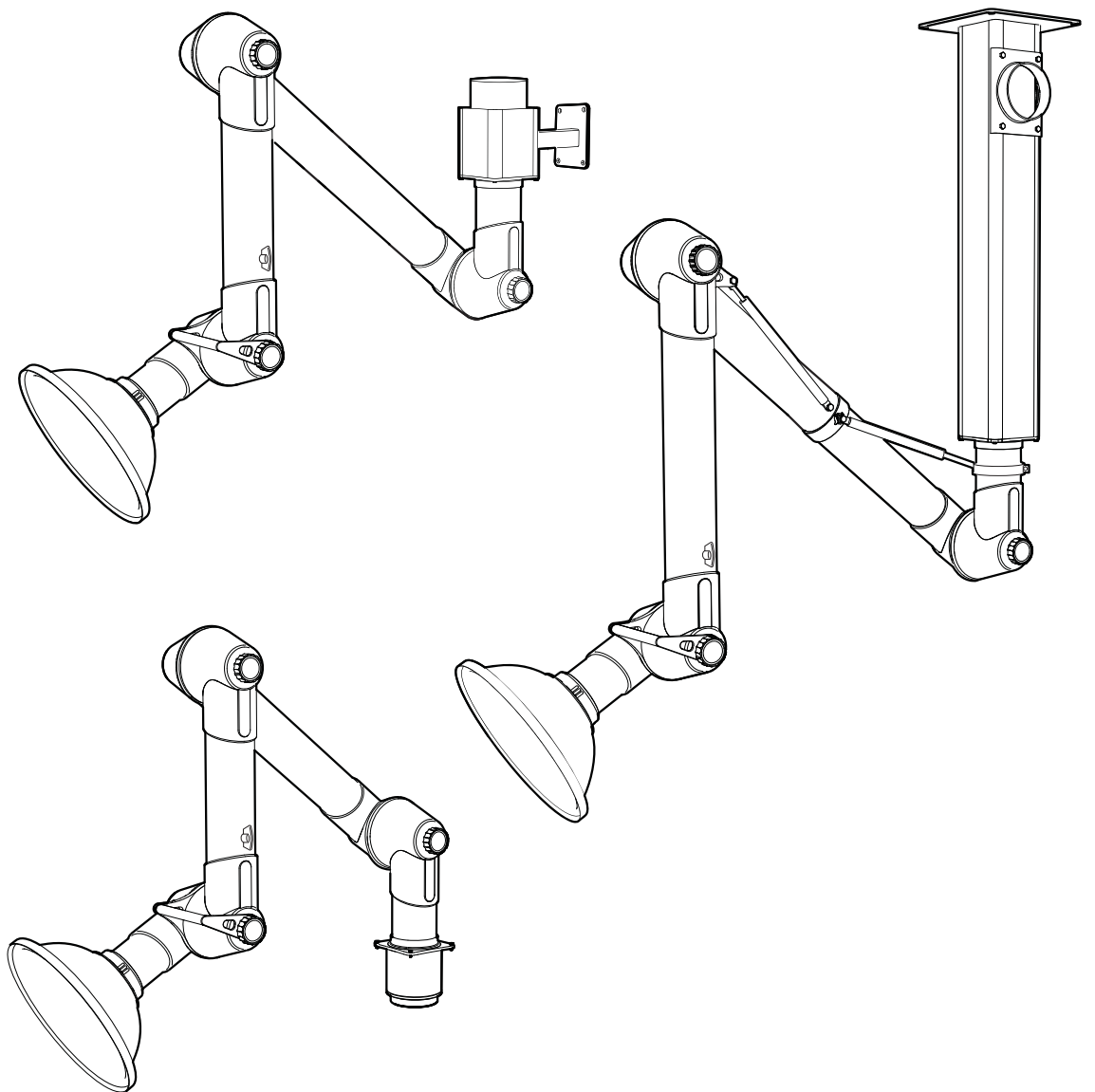


MONOXIVENT®

Source Capture Systems

Operation and Maintenance Manual

Mini Arms 4" Diameter



MONOXIVENT - SOURCE CAPTURE SYSTEMS

1306 Mill St., Rock Island, IL 61201
877-608-4383 - info@monoxivent.com
monoxivent.com

Installation of the Monoxivent extractor arm before beginning operation of ceiling, wall, or bench mount arm.

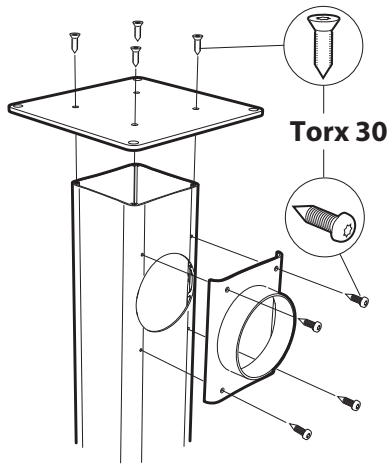
The sole purpose of the Monoxivent mini extractor arm is source capture. This is achieved by loosening the knobs on the three polypropylene joints, positioning the arms for the most effective capture and hand tightening each joint until the arm maintains position. It is recommended that positioning of the arm is best achieved by attending each joint individually starting at the top and working towards the bench top.

Air flow can be regulated by the manual damper located just above the hood after the first adjustment joint.

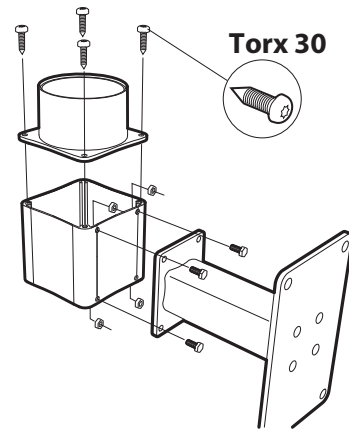
Exterior cleaning of the extractor arm is an individual preference as this will not hinder the extraction of fumes through the arm.

An interior inspection is recommended periodically, especially if the extractor is not removing fumes as previous. A complete interior inspection can be performed by disassembly of each adjustable joint, removing each section of the arm, and verifying the arm is clean of debris. At this time each O-ring should be inspected for cracks and tears.

MTI

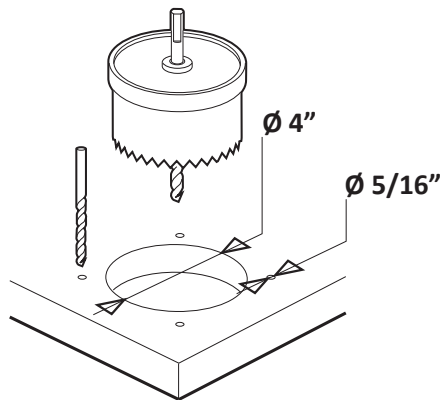


MVK

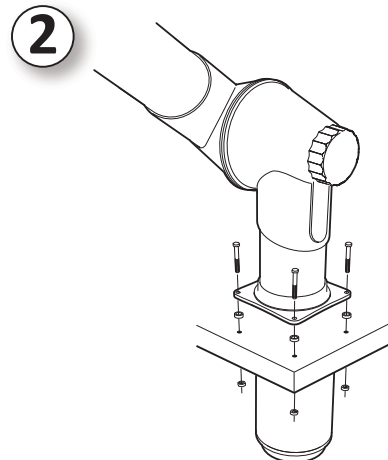
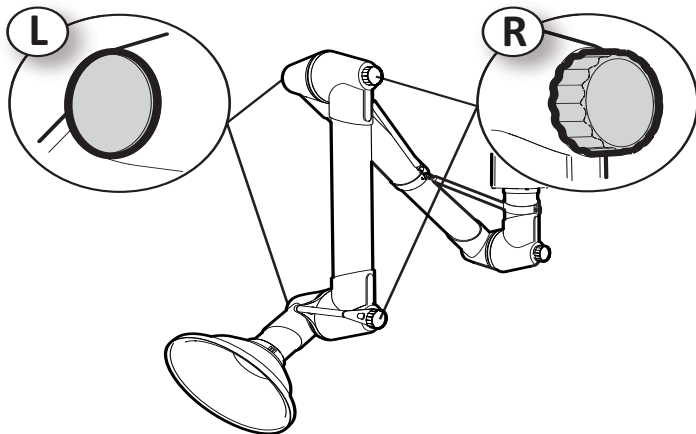
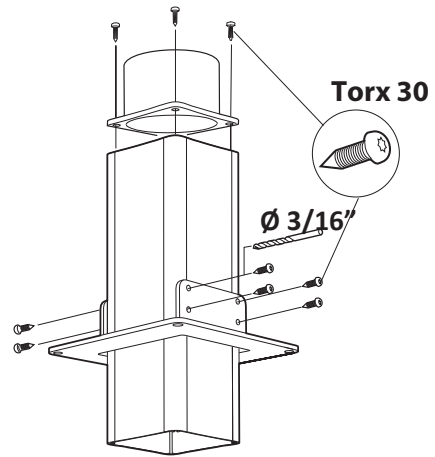


1

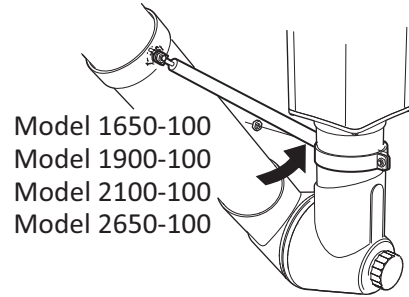
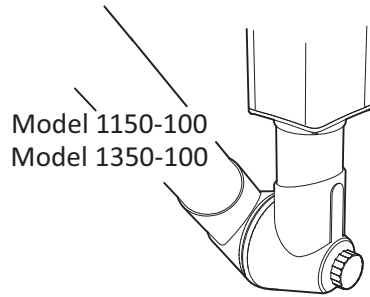
MBF



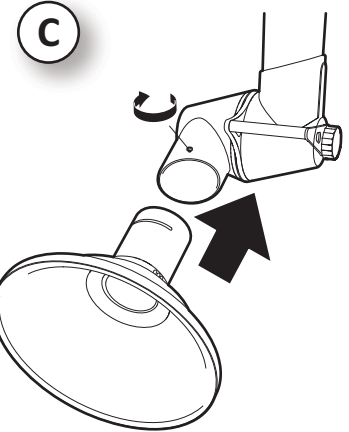
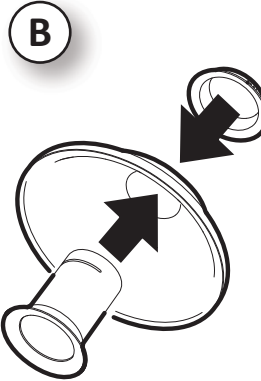
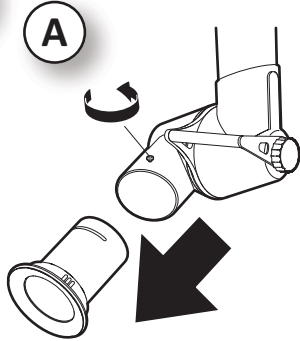
MTF



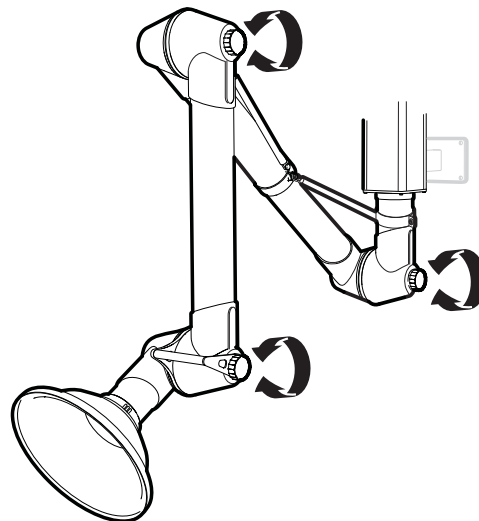
3



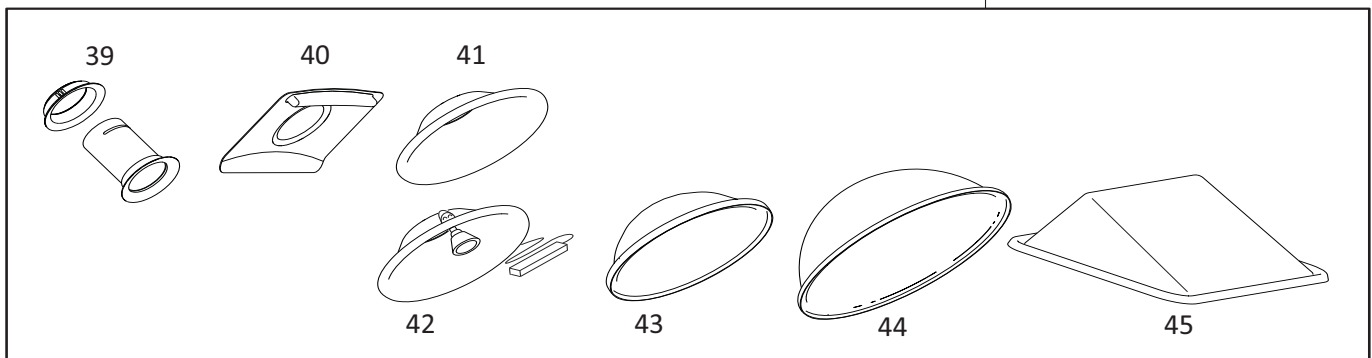
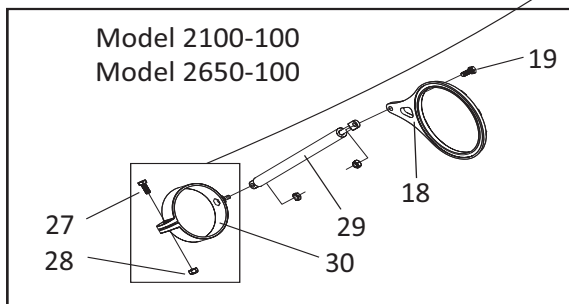
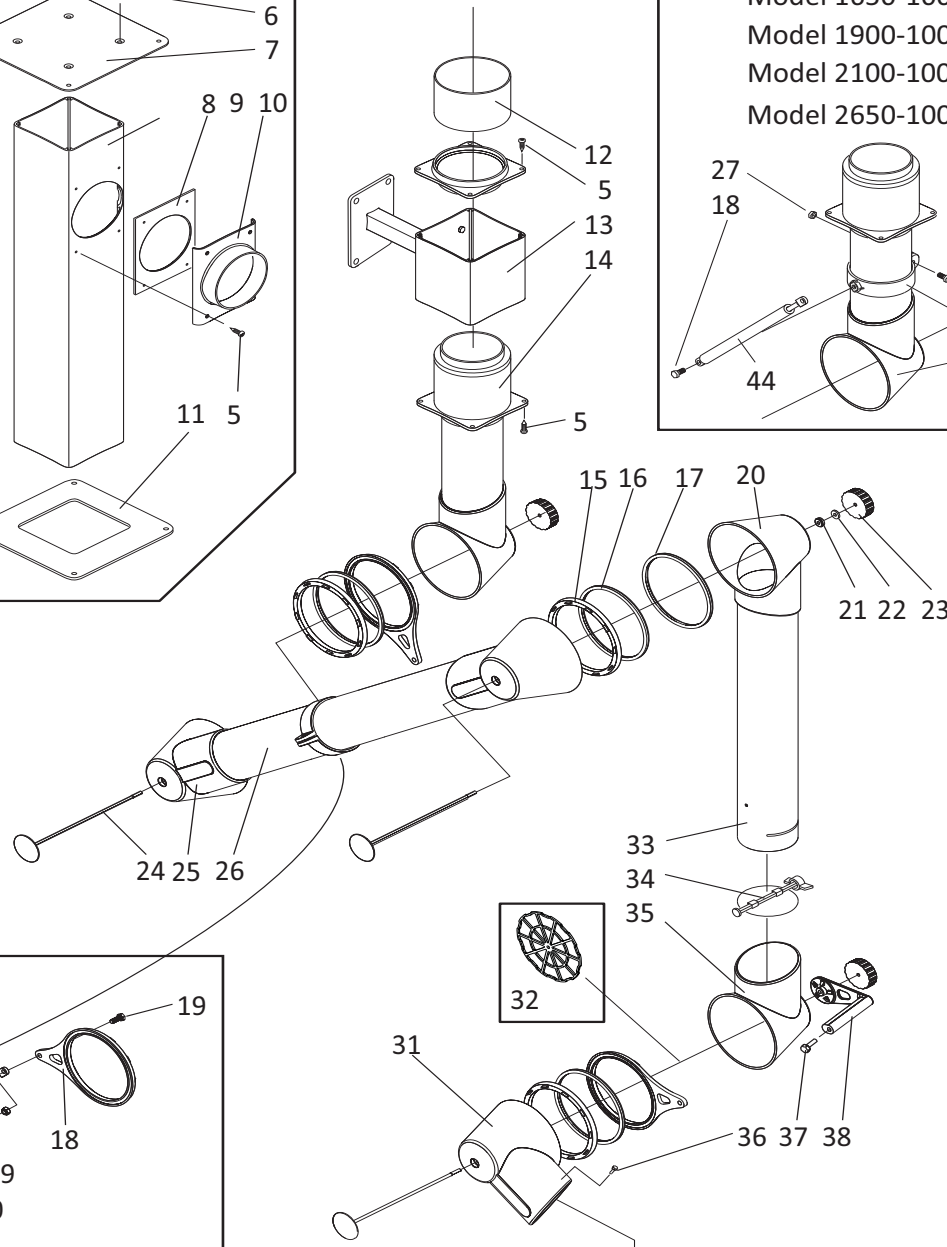
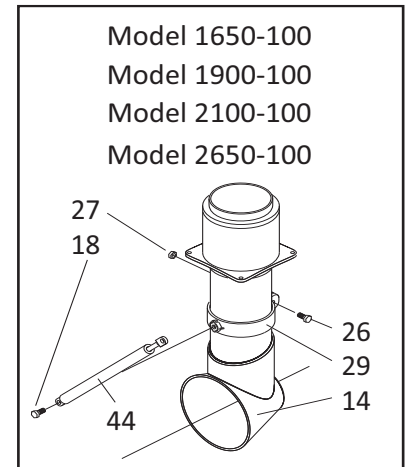
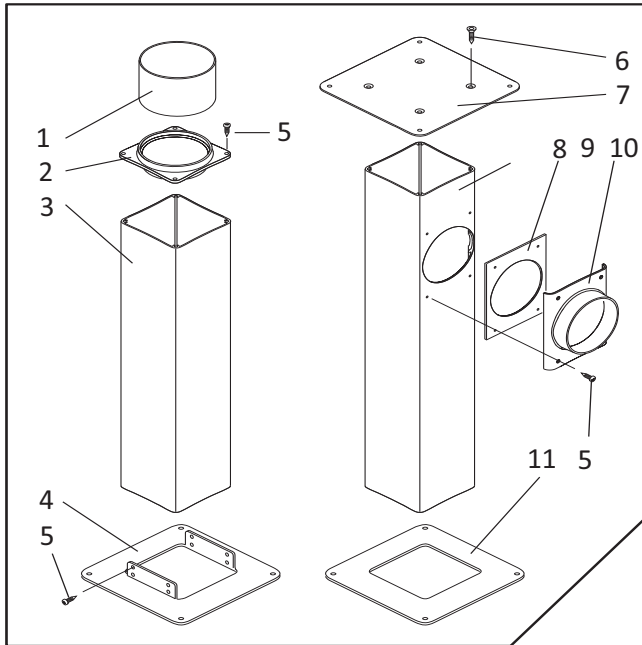
4



5



**Mini Arms
4 Inch**



Models with two and three joints Ceiling mount

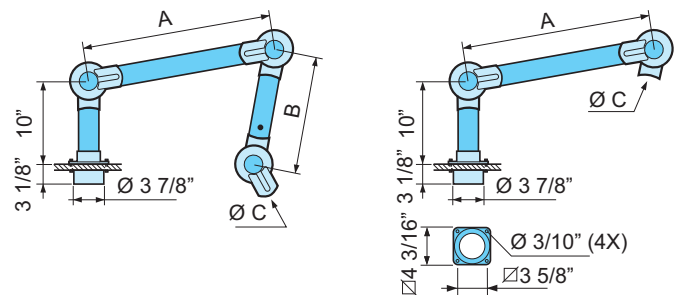
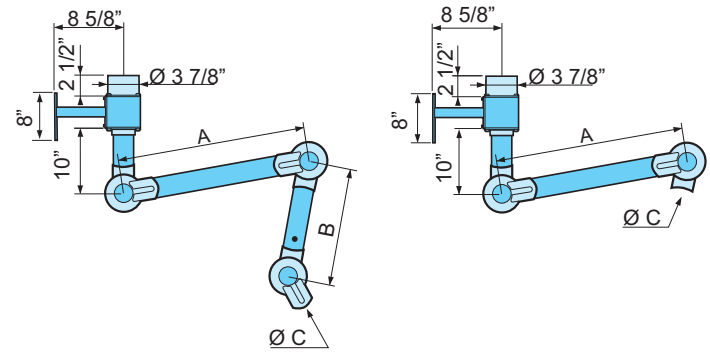
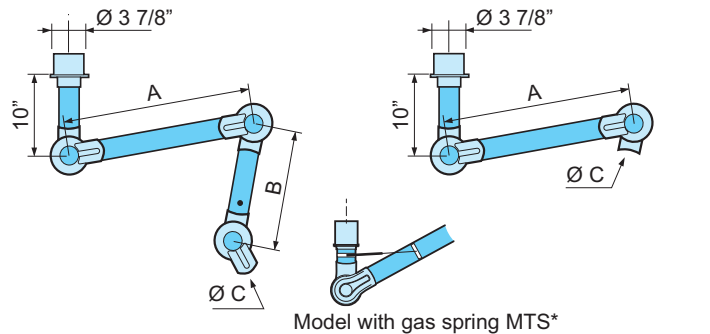
Designation with three joints				Size (inches)				Weight
Standard	PP	ESD	ATEX	A	B	Total length	Ø C	lb
MT 1000-50	-	ES	-	16"	12"	40"	2"	3.3
MT 1300-50	-	ES	-	22"	18"	51"	2"	3.6
MT 1500-50	-	ES	-	30"	18"	60"	2"	3.7
MT 1000-75	PP	-	-	16"	12"	40"	3"	5.0
MT 1300-75	PP	-	-	22"	18"	51"	3"	5.7
MT 1500-75	PP	-	-	30"	18"	60"	3"	6.0
MT 2000-75	-	-	-	40"	26"	80"	3"	7.1
Designation with two joints								
MT 650-50	-	ES	-	12"	-	28"	2"	2.2
MT 750-50	-	ES	-	18"	-	34"	2"	2.4

Wall mount

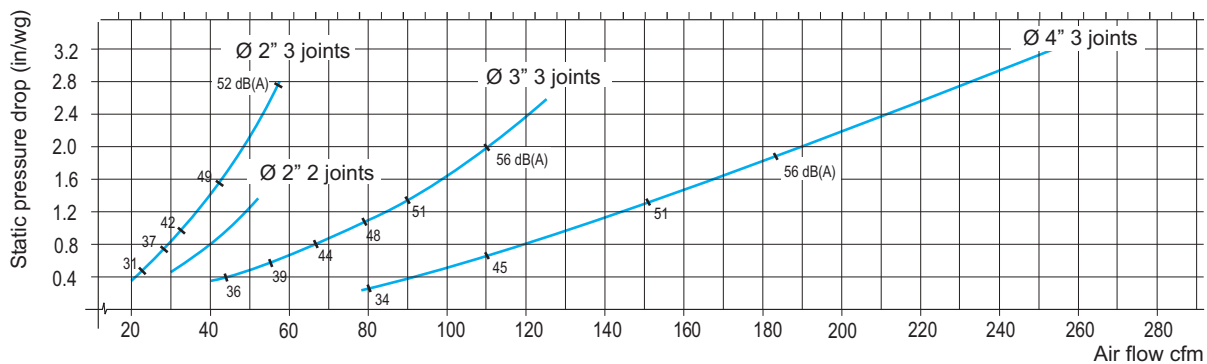
Designation with three joints				Size (inches)				Weight
Standard	PP	ESD	ATEX	A	B	Total length	Ø C	lb
MV 1000-50	-	ES	-	16"	12"	40"	2"	8.0
MV 1300-50	-	ES	-	22"	18"	51"	2"	8.3
MV 1500-50	-	ES	-	30"	18"	60"	2"	8.4
MV 1000-75	PP	-	-	16"	12"	40"	3"	9.7
MV 1300-75	PP	-	-	22"	18"	51"	3"	10.4
MV 1500-75	PP	-	-	30"	18"	60"	3"	10.7
MV 2000-75	-	-	-	40"	26"	80"	3"	11.8
Designation with two joints								
MV 650-50	-	ES	-	12"	-	28"	2"	6.9
MV 750-50	-	ES	-	18"	-	34"	2"	7.1

Table mount

Designation with three joints				Size (inches)				Weight
Standard	PP	ESD	ATEX	A	B	Total length	Ø C	lb
MB 1000-50	-	ES	-	16"	12"	40"	2"	3.3
MB 1300-50	-	ES	-	22"	18"	51"	2"	3.6
MB 1500-50	-	ES	-	30"	18"	60"	2"	3.7
MB 1000-75	PP	-	-	16"	12"	40"	3"	5.0
MB 1300-75	PP	-	-	22"	18"	51"	3"	5.7
MB 1500-75	PP	-	-	30"	18"	60"	3"	6.0
Designation with two joints								
MB 650-50	-	ES	-	12"	-	28"	2"	2.2
MB 750-50	-	ES	-	18"	-	34"	2"	2.4



Pressure drop diagram models 2, 3 and 4 inch



The static pressure drop is measured in accordance with ISO-standard 5167-1. The noise level is measured in accordance with ISO-standard 3741.

Size	Function	Air flow	
2 inch	Soldering	20 l/s	42 cfm
	Hair dresser	17 l/s	37 cfm
3 inch	Laboratory	40 l/s	85 cfm
	Schools	40 l/s	85 cfm

Typical values for Terfu 4 inch

Size	Function	Air flow	
4 inch	Laboratory	40-80 l/s	85-170 cfm
	Light industry:		
	-Gluing	80 l/s	170 cfm
	-Solvents	80 l/s	170 cfm
	-Brazing	100-125 l/s	210-265 cfm
-Light welding/TIG	110-125 l/s	235-265 cfm	

Range at recommended mounting height, Terfu 2 - 3 inch

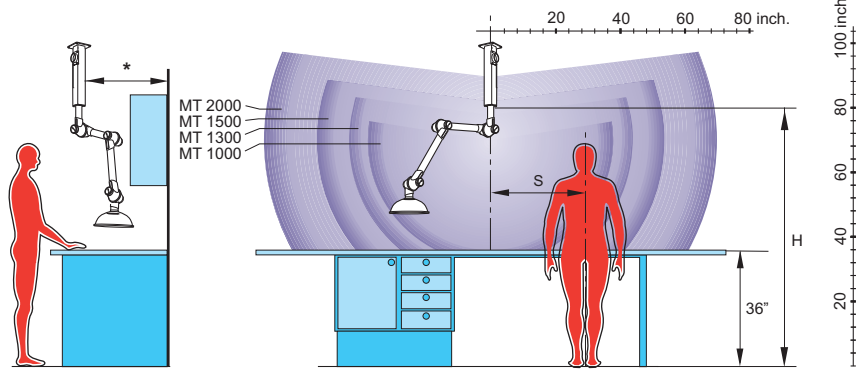
The following mounting heights and side displacements are recommended for optimization of evacuation.

Recommended mounting height

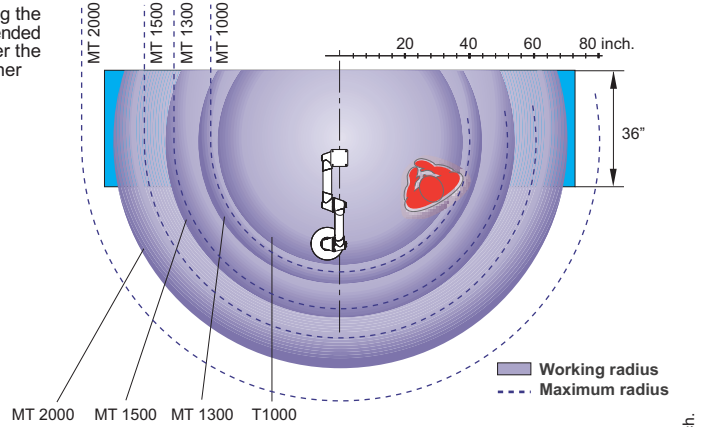
Designation	H inches
MT 1000	64-76
MT 1300	72-84
MT 1500	76-88
MT 2000	84-96

Recommended side displacement in relation to workplace

Designation	S inches
MT 1000	12-24
MT 1300	16-28
MT 1500	20-32
MT 2000	28-40



*For ceiling mounting the extractor is recommended to be positioned over the benchtop, taking other interior furnishing in consideration.



Range at recommended mounting height, Terfu 4 inch

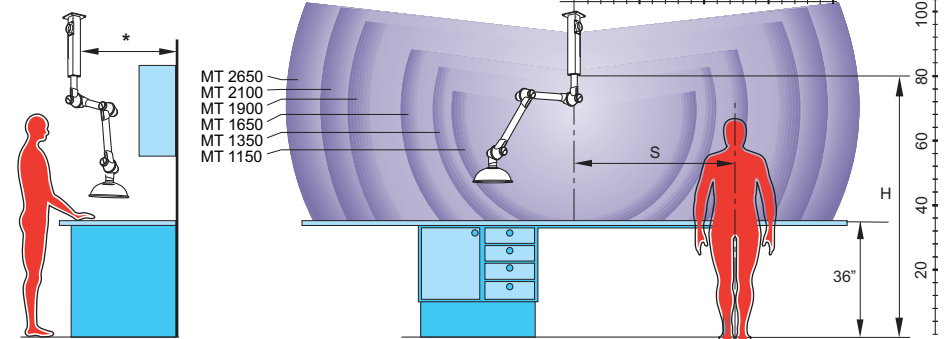
The following mounting heights and side displacements are recommended for optimization of evacuation.

Recommended mounting height

Designation	H inches
MT 1150	68-76
MT 1350	76-84
MT 1650	80-88
MT 1900	88-96
MT 2100	92-100
MT 2650	92-100

Recommended side displacement in relation to workplace

Designation	S inches
MT 1150	12-24
MT 1350	16-28
MT 1650	20-32
MT 1900	28-32
MT 2100	28-36
MT 2650	52-36



*For ceiling mounting the extractor is recommended to be positioned over the benchtop, taking other interior furnishing in consideration.

