

FDS-SA-CO
FDS-SA-NO



Stand Alone Sensor User Manual

Gas detection device

E3Point Standalone Gas Monitor User Manual

Model Key:

Monoxivent - FDS-SA = Honeywell E3Point

Installation questions:

Honeywell Analytics

405 Barclay Boulevard
Lincolnshire, Illinois 60069
USA

Tel: 847 955 8200
Toll free: 800 538 0363
Fax: 847 955 8208

3580 rue Isabelle, suite #100
Brossard, QC, J4Y 2R3
Canada

Tel: 450 619 2450
Toll free: 800 563 2967
Fax: 450 619 2525

Symbol Definitions

The following table lists the symbols used in this document to denote certain conditions:






Symbol	Definition
	ATTENTION: Identifies information that requires special consideration.
	TIP: Identifies advice or hints for the user, often in terms of performing a task.
	REFERENCE _ INTERNAL: Identifies an additional source of information within the bookset.
CAUTION	Indicates a situation which, if not avoided, may result in equipment or work (data) on the system being damaged or lost, or may result in the inability to properly operate the process.
	CAUTION: Indicates a potentially hazardous situation which, if not avoided, may result in minor or moderate injury. It may also be used to alert against unsafe practices.
	CAUTION: Symbol on the equipment refers the user to the product manual for additional information. The symbol appears next to required information in the manual.
	WARNING: Indicates a potentially hazardous situation which, if not avoided, can result in serious injury or death.
	WARNING symbol on the equipment refers the user to the product manual for additional information. The symbol appears next to required information in the manual.

Table of Contents

Symbol Definitions	i
Introduction	1
Installation	2
Locating the Sensor.....	2
Installation Height.....	2
Wall Mounting.....	3
Duct Mounting.....	5
Special Duct Mount Installation.....	5
Wiring	6
Guidelines.....	6
Wiring Diagrams	7
Circuit Board Connections.....	7
3-Wire Current Sink Output.....	7
4-Wire Current Sink Output.....	8
120 VAC Connection.....	9
Connecting Main Sensor to Remote.....	10
Installation Test	11
Operation	13
Start-Up Procedure.....	13
User Interface.....	14
Using the Programming Menus	15
Main Menu Options.....	15
Password Menu.....	16
Display Menu.....	16
Relay Menu.....	17
Buzzer Menu.....	18
Alarm Menu.....	19
Restore Menu.....	20
Temp Menu.....	21
Set Zero Menu.....	22

Table of Contents

TestMode Menu	24
Quit Menu	25
Memory Menu	25
Remote Sensor	27
Description	27
Safety Information	27
Elements Drawing	28
Installation.....	29
Sensor Locations.....	29
Mounting the Enclosure.....	29
Specifications	31
General Technical Specifications	31
E ³ Point Detection Specifications	32
Remote Sensor Specifications	34
Detection Ranges and Alarm Levels	34
Sensor Over Range.....	35
Standard Mounting Parts List.....	36
Duct Mount Parts List.....	37
Periodic Inspection and Maintenance	38
Maintenance.....	38
Sensor Life Span	38
Troubleshooting	39

Introduction

E3Point is: **E**nergy Management, **E**fficiency, and **E**conomic value.

E³Point is a toxic or combustible gas detection system that integrates the best functionalities from well-known Honeywell Analytics products, such as the 201M, 201T and 301M. Although new and innovative, E³Point is still compatible with the features offered in these products.

The E³Point gas detection system combines a gas sensor (electrochemical or catalytic type), a control unit, and a set of outputs (such as 4-20 mA current loop, buzzer and relays) in one reliable and robust product. The polycarbonate housing is resistant to rust, dents and corrosion.

In addition to its built-in sensor, the E³Point Standalone monitor is capable of accepting one additional remote sensor. This configuration allows the E³Point to detect two gases in two separate locations.

The E3Point network platform supports different protocols over an RS-485 link, such as Modbus or BacNet MS/TP master. It is well suited for commercial use in certain outdoor environments, and indoor environments, such as parking garages and mechanical rooms.

Installation is both economical and efficient because it is achieved in 3 easy steps (mounting, wiring and power-up). Units are shipped with custom diagrams, indicating the most effective places to mount units.

Installation

Locating the Sensor

Since the E³Point units are shipped with custom network diagrams that indicate best locations for installation, the remaining considerations are installation height and detection objectives. If the primary application is the fastest possible leak detection, mount the sensor near the potential leak sources. As a result, the indicated concentration may not be representative of personnel exposure, and easy access for the required calibration and maintenance can be compromised.

Air Currents: If there are fans, wind, or other sources of air movement, gases may tend to rise or collect in certain areas of a facility. The local air currents should be assessed to aid in selecting the sensor location. Air convection can often be more important in determining gas concentration areas than factors of Vapor Density.

Gas Emission Sources: As a rule, at least one sensor should be located in close proximity to each point where an emission is likely to occur.



CAUTION: Because each sensor can only “report” what it is seeing at the moment, it is very important that the sensor be located where leaks are most likely to occur.

Installation Height

Detected Gas		Relative Density	Installation Height
		(air = 1)	
CO	Carbon monoxide	0.968	1–1.5 m (3–5 ft.) from floor
H ₂ S	Hydrogen sulfide	1.19	30 cm (1 ft.) from floor
*NO ₂	Nitrogen dioxide	1.58 (cold)	30 cm–1 m (1–3 ft.) from ceiling
O ₂	Oxygen	1.43	1–1.5 m (3–5 ft.) from floor
COMB	Most combustibles are heavier than air, with the exception of methane, hydrogen, ethylene and acetylene. Sensors for gases that are heavier than air should be installed approximately 30 cm (1 ft) from the floor. For combustibles that are lighter than air, sensors should be installed 30 cm (1 ft) from the ceiling, close to the potential leak source.		

* May differ in certain applications. Hot NO₂ from exhaust systems is lighter than ambient air.



WARNING: Some materials such as, but not limited to, tetraethyl lead, silicones, some sulfur, phosphorus, and chlorinated compounds, may have a poisoning effect resulting in a loss of sensitivity.

Wall Mounting

Mounting is usually done on concrete walls or columns, but the unit can be mounted on any vertical surface. The housing is designed with spacers on the back to allow moisture to flow behind the housing without affecting the unit.

- Mounting holes are located inside the housing. Open the unit to access mounting holes.
- Drill and mark the holes, as shown:
 - Width 11.1 cm (4 3/8") apart (if mounting directly to wall)
 - Height 8.3 cm (3.281") for electrical boxes

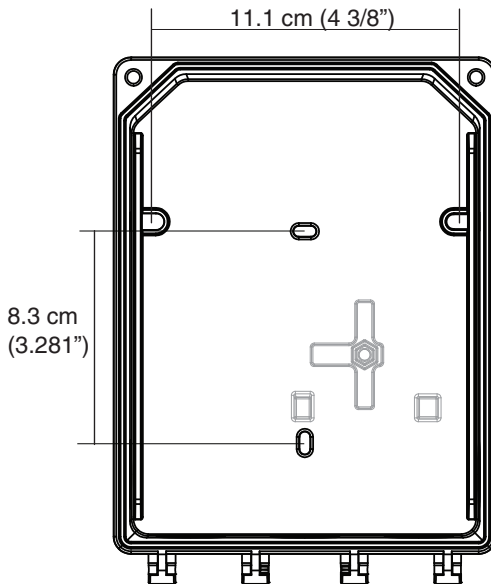


Figure 1. Unit Dimensions

- Pre-drill mounting holes from the back of the unit as needed.
- Securely mount the unit using the appropriate screws and anchors. The unit is designed to use #6 screws. Tighten to 8.7 in-lb (1 Nm) maximum.

Installation

- Close the unit cover and tighten screws to 29.7 in-lb (3 Nm).
- Do not remove PC board when removing knockouts.
- Knockout on back is not for conduit entry.

General Mounting Considerations:

- Must be easily accessible for calibration and maintenance.
- Mount the sensor close to the potential leak source for fastest possible leak detection.
- If personnel protection is the primary application, mount in the “breathing zone” (1–1.5m from the ground, within the range of a person’s respiration area).
- Protect the sensor from water, excessive humidity, and wash-down.
- Take air movement and ventilation patterns into account.
- To prevent electrical interference, keep sensor and wire runs away from mercury vapor lights, variable speed drives, and radio repeaters.
- Protect the sensor from physical damage (fork lifts, etc.).
- Do not mount the sensor over a door in a refrigerated area.
- For highly critical locations, more than one sensor should be installed in each room.

Very Important:

- **Never** mount the sensor flat on a ceiling.
- **Never** mount the sensor on a vibrating surface.

Duct Mounting

Special Duct Mount Installation

This option works best for airflows between 500–4000 ft./min.

The E³Point must be duct mounted using the custom box provided with the duct mount version. All of the components housed within the box are factory assembled.

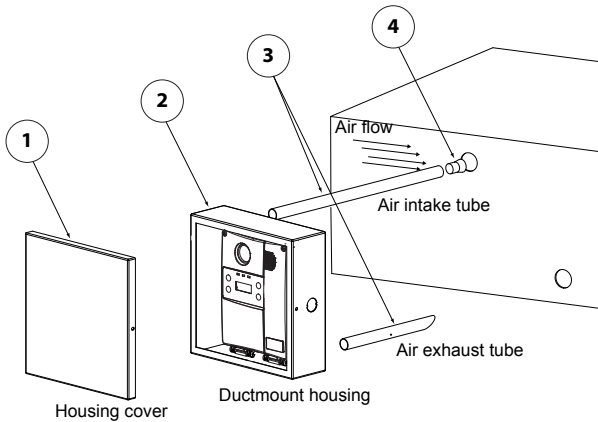


Figure 2. Duct Mounting

1. Select the location for the unit.
2. Measure and mark the holes for intake and exhaust tubes.
3. Drill the holes for the sampling tubes (making sure holes are large enough for plug).
4. Affix intake and exhaust tubes to the mounting box.
5. Insert the tubes into the holes on the ducting.



Ensure to orient the air holes on the air intake tube to face the airflow.

6. Screw the mounting box onto the duct.
7. Remove the desired knock out (depending on where cables will enter box) and affix appropriate conduit.
8. Run wiring through the conduit and duct mount box to the unit. Connect wires according to the [Wiring Details](#).
9. Screw cover onto the E³Point and replace the cover on the mounting box.

Wiring

Guidelines

Electrical wiring must comply with all applicable codes. Operating conditions and site equipment that may be involved should be discussed with local operating personnel to determine if any special needs should be considered.

Ground the shield at the main control panel. Connect the shield wire in the sensor terminal block labelled ***shield***. Tape all exposed shield wire at the sensor to insulate it from the enclosure.

Electrical Power: 24 VDC/VAC nominal, 0.35 amp maximum. Either AC or DC may be connected to the terminal block.

Output: Circuit board mounted sensor provides a linear 4-20 mA output. Monitoring equipment may have a maximum impedance of 500 ohms.

Wire: Signal wiring should be done with #20-24 AWG shielded twisted pair cable Belden 9841 or similar. Network units should have no more than 2,000 ft (600 m) of #22 AWG wire. Smaller gauge sizes are limited by the same resistance limit.

Power wiring should be sized by local codes, but never less than #20 AWG. 120 VAC wiring should be #14 or #12 AWG.

Wiring Diagrams

Circuit Board Connections

- Connect the power wiring to terminal J1
- Connect Communication wiring to terminal J2
- Connect external device (ventilator, strobe, etc.) to relay terminals J5, J6

3-Wire Current Sink Output

(VDC only)

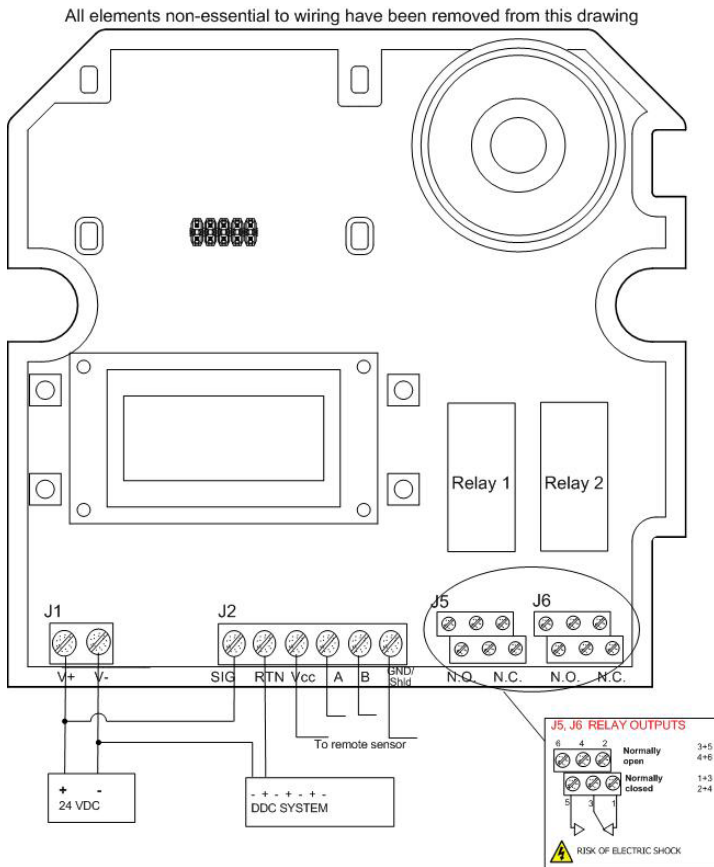


Figure 3. 3-Wire Current Sink Output

4-Wire Current Sink Output

All elements non-essential to wiring have been removed from this drawing

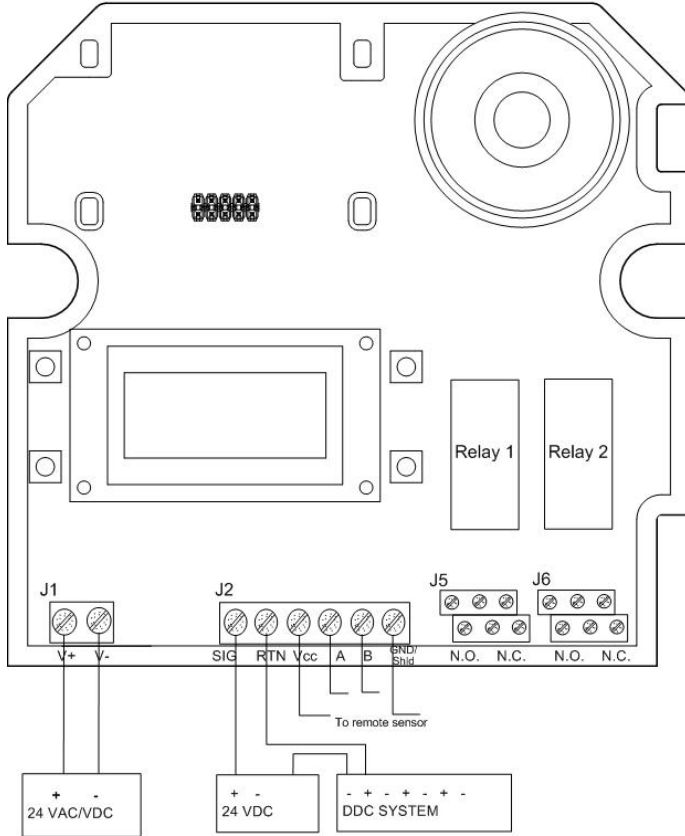


Figure 4. 4-Wire Current Sink Output

120 VAC Connection

The transformer is mounted under the PCB and connections to the power terminal are factory wired. Connect the live and neutral wires, as shown (ensure that power is off before attempting to connect the wires). Replace fuse with same type: 1A 250 VAC, T.

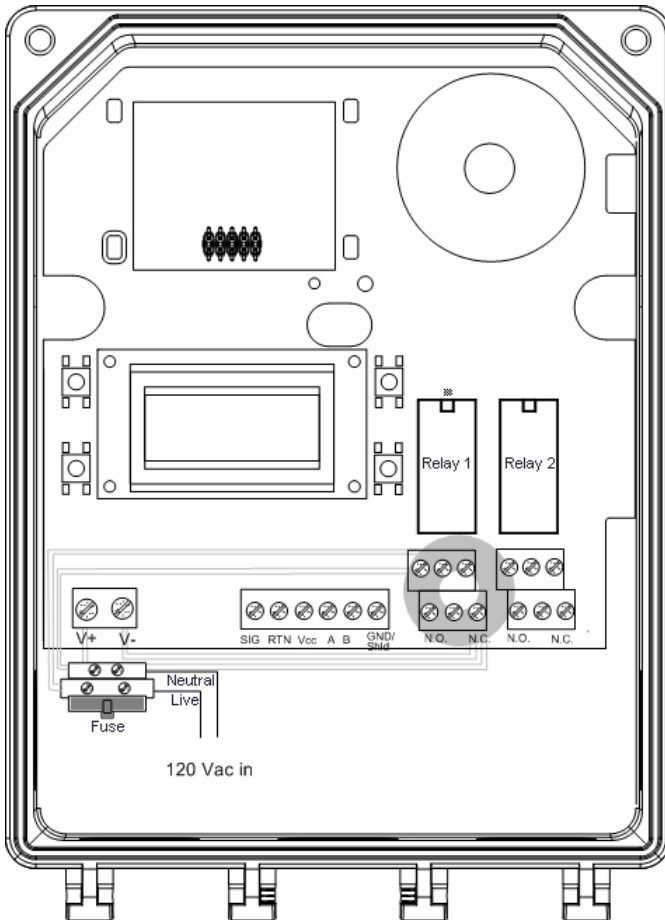


Figure 5. 120 VAC Connection

Connecting Main Sensor to Remote

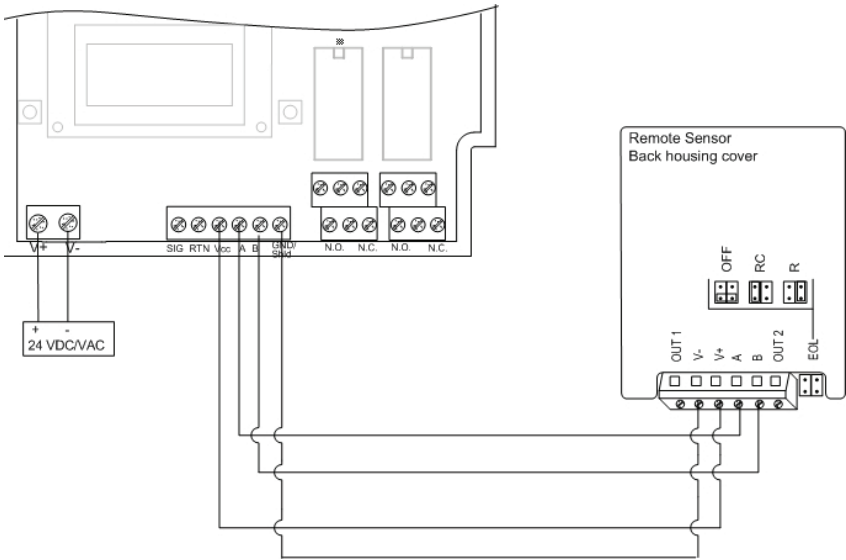


Figure 6. Connecting Main Sensor to Remote



The OUT1 and OUT2 connectors on the remote sensor's terminal are not used. DO NOT connect any wires to these locations.

Wire: Signal wiring should be done with #20-24 AWG shielded twisted pair cable Belden 9841 or similar. Remote sensors should have no more than 200 ft (61 m) of #22 AWG wire. Smaller gauge sizes are limited by the same resistance limit.

Power wiring should be sized by local codes, but never less than #20 AWG. 120 VAC wiring should be #14 or #12 AWG.

Installation Test

Once the unit has been mounted and all wiring connections are complete, a test of the unit's functions is recommended. It is necessary to access the unit's programming menus to perform the test:

- Power up the unit and allow 5 minutes for the warm-up procedure to complete (allow 15 minutes for the O₂ sensor).
- Press the **enter** on the front touchpad.
- The LCD displays the Password login screen. See [Password Menu](#).

Once in the programming menus, use the arrow key to scroll to the TestMode option. See [TestMode Menu](#).

The TestMode menu performs a test of all functions on the unit. All outputs are activated according to their failsafe mode, relay setting, and buzzer setting. All functions are activated simultaneously for a maximum of 3 minutes (or until the user cancels the test) to ensure working order.



The unit does not detect gas during this TestMode procedure.

Once all functions are confirmed in good working order, the unit is completely functional.

Should any function fail the test, verify that all connections are correctly wired and re-test.

Operation

The E³Point gas detection system is factory configured to conform to specific standards. It is designed to be operational after physical installation and warm-up procedures.

Start-Up Procedure

Before applying power, check all wiring for continuity, shorts, grounds, etc. After power-up, ensure the LEDs below are operational as follows:

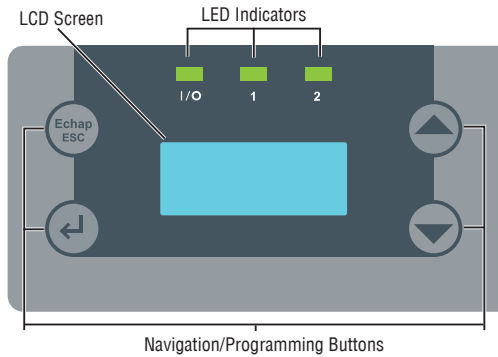


Figure 7. E³Point LCD

LED	Description	Display Modes
I/O	Power	Always on = Normal operation
		Always off = microcontroller fault or no power
		Blinking (twice per second) = self-test
1	Built-in sensor	Always on = Alarm A triggered
		Slow blink = Alarm B/C triggered (1 blink/second)
		Fast blink = Fault (4 blinks per second)
		Always off = normal operation
2	Remote Sensor	Always on = Alarm A triggered
		Slow blink = Alarm B/C triggered (1 blink/second)
		Fast blink = Fault (4 blinks per second)
		Always off = normal operation

Operation

Sensor Warm Up

When the unit is first powered up, sensors must go through a 5 minute warm-up (15 minutes for the O₂ sensor), during which time the unit displays **Warm-Up**. The 4-20 mA is maintained at 4 mA for all sensors; however, the O₂ sensor is maintained at (approximately) 17.4 mA (equal to 20.9%).

Allow the sensor to operate for 12 hours with the enclosure closed prior to testing the sensors. Optimal sensor performance is achieved 3 to 4 hours after initial power up.

User Interface

The E³Point gas detector is equipped with a 2 line, 8 character LCD screen that displays reading information and serves as an interface for programming functions and calibration.

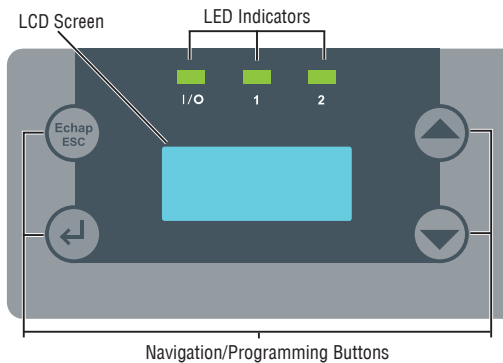


Figure 8. E³Point LCD

The LCD screen displays the readings in real time, including the type of gas detected, the concentration, and measurement value (% or ppm) and for which sensor (built-in or remote).



Cancels a modification or exits a menu.



Provides access to the programming menus and confirms a selection.



Navigates through the menu options and increments/decrements values.



Using the Programming Menus

The programming menus provide a series of options that let you customize your gas detection system. Press the **enter** key to access the programming menus. If no buttons are pressed for 2 minutes, the unit exits programming mode to normal operation.



CAUTION: Only qualified, knowledgeable personnel should use the programming functions of this unit. Factory settings conform to specific standards. See [Specifications](#). Any changes made to Alarm Levels may affect manufacturer's stated standards compliance.

Main Menu Options

Each menu option provides access to further sub-menus. Consult the following pages of this manual for menu use instructions.

Menu Option	Description
Password	Protects programming menus from unauthorized access.
Display	Provides a choice of discrete display.
Relay	Defines whether the relays will be latched, failsafe or activated.
Buzzer	Provides a choice between activated or silenced.
Alarm	Allows configuration of various alarm levels .
Restore	Restores the device's factory configured calibration settings.
Temp	Sets the maximum temperature level.
SetZero	Sets the sensor zero.
SetSpan	Calibrates the sensor span.
TestMode	Simulates events for testing purposes without affecting the sensor readings. Used during installation.
Memory	Reserved for authorized Honeywell Analytics technicians only.
Quit?	Exits the programming menus and returns the device to normal operation mode.

Password Menu

Access to the programming menus is password protected (password is **HA**). The Password screen displays after pressing the **enter** key.

Password
AA

- Press the arrow key (up or down) to change the first letter to **H**.
- Press **enter** and use the arrow keys to change the second letter to **A**.
- Press **enter** to confirm the password and access the menus.
- Use the arrow keys to scroll through the menu options.
- In the event of an entry error, the unit returns to normal display mode. Restart the login process.

Display Menu

The Display menu selects the display language (English or Français) and whether the unit display screen will be in Discrete mode or not. In Discrete mode, the screen powers off after three minutes of inactivity (activating the keypad will turn the screen back on).

* Menu *
Display

- Press **enter** from the main Display menu. The screen displays **Language**, or press an arrow key to display **Discrete**. Press **enter** to select.

Display
Language

- In the Language screen, use the arrow keys to scroll to **Francais** or **English** and press **enter** to select.

Display
Discrete

- In the Discrete screen, use the arrow keys to scroll to **Yes?** or **No?** and press **enter** to select.

Relay Menu

The Relay menu allows users to select **Latch**, **Failsafe**, or **SetDelay**. Press **enter** to access the Relay menu options, then scroll to select Relay #1 or Relay #2.



Use the arrow keys to scroll to the desired option and press **enter** to select one of the four following options:



Latch: Keeps relays on even after an event has returned to normal. Use the arrow keys to select **Yes** or **No** and press **enter** to confirm the setting. Once a latched relay is activated, press and hold a keypad button for 5 seconds to return relays to their normal position.

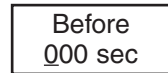
Failsafe: Relays will be on in normal conditions but will de-energize during a controller fault or shutdown, or when an alarm is triggered. In the Failsafe menu, use the arrow keys to select either **Yes** or **No** and press **enter** to confirm.

Activate: Relay #2 only. Can be set to activate with B (Alarm B) or F (Fault).

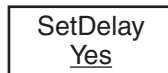
SetDelay: Allows users to specify a **Before** and **After** delay period for relay alarm activation and deactivation.



- In the SetDelay menu, use the arrow keys to display either **Before** or **After** and press **enter** to select.



- For the Before (or After) screen, use the arrow keys to increase the delay in seconds. When the desired value is reached, press **enter** to confirm.



- Press **enter** again to confirm the SetDelay, or use the arrow keys to select **No** and cancel the procedure.

Buzzer Menu

The Buzzer menu allows users to select whether or not the built-in audible alarm can be silenced by pressing a keypad button and which events will activate the buzzer.

* Menu *
Buzzer

- Press **enter** in the main Buzzer menu screen. The Buzzer screen displays either **Activate** or **Silence**.
- Use the arrow keys to scroll to the desired option and press **enter** to select.

Buzzer
Activate

If **Silence** is selected, the buzzer can be deactivated (without affecting the event) by pressing and holding any key on the unit for 5 seconds.

Select **Activate** to display available menu options:

- B: The buzzer will activate when alarm level B is reached.
F: The buzzer will activate upon a system or sensor fault.
Disable: Buzzer is completely deactivated. However, if there is a fault alarm, the buzzer will sound one brief beep once every 10 minutes.

Alarm Menu

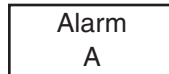


CAUTION: Only qualified, knowledgeable personnel should use the programming functions of this unit. Factory settings conform to specific standards (see [Specifications](#)). Any changes made to Alarm Levels may affect manufacturer's stated standards compliance.

The Alarm menu allows users to define different alarm levels than the factory settings. Press **enter** to access the Alarm menu options. If there is a remote sensor connected, scroll to select either **Z1** (built-in sensor) or **Z2** (remote sensor).



- Use the arrow keys to scroll to the **Alarm A, B, or C** option and press **enter** to select. The screen displays the default alarm level.



There is no Alarm C option for the remote sensor (Z2).

- Use the arrow keys to increase or decrease the value to the desired level and press **enter**.

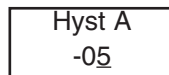


When alarm settings are modified by the customer, the new values are stored in the main device and do not need to be modified again when a sensor is replaced.



WARNING: If a different type of gas sensor cartridge is installed, the previously stored values will no longer be valid and must be corrected.

- The next screen displays the hysteresis value. Use the arrow keys to increment or decrement the value and press **enter**.



Using the Programming Menus

- The Hyst(eresis) screen displays. This value, added to the alarm level, tells the unit at which level to deactivate the alarm (e.g. Alarm level A is 25 ppm, minus a hysteresis level of -05, gives a deactivation level of 20 ppm). Use the arrow keys to increase or decrease the value and press **enter**. A confirmation screen displays. Press **enter** to confirm.

SetAlarm
Yes

The screen briefly displays a success message and returns to the main menu option.

Restore Menu



CAUTION: Only qualified, knowledgeable personnel should use the Restore function of this unit. Factory calibration settings conform to specific standards. Any changes made may affect manufacturer's stated standards compliance.

The Restore menu allows users to restore all calibration information to factory configured settings. Press **enter** to access the Restore menu.

* Menu *
Restore

- Use the arrow keys to scroll to **Yes** (or **No**) and press **enter** to select.

Restore
Yes

The screen briefly displays a success message and returns to the main menu option.

Restore
Success

Temp Menu

The Temp menu allows users to define the maximum temperature for the device temperature alarm, which can be used to activate the device connected to the relay.

```
* Menu *
Temp
```

Press **enter** to access the Temp menu, then select either **Disable** or **Enable**.

```
Temp
Enable
```

- Use the arrow keys to select the temperature scale (either oC or oF) and press **enter** to select (the underlined value). This affects local display only and is not stored in memory—it is a conversion aid.

```
Limit
oC
```

- Use the arrow keys to increase or decrease the value to the desired level and press **enter**.

```
Limit
50oC
```

An alarm (or relay) as chosen at programming time will be triggered when the temperature reaches the specified level. **TEMP LIMIT** will display on the LCD.



The temperature measured represents the unit's internal reading and may differ from external temperatures by up to 10°C.

The unit does not display temperature readings.

Set Zero Menu



Only use the Set Zero function when the unit no longer displays zero. See [Periodic Inspection and Maintenance](#).

This option allows users to set the sensor Zero. In the main Set Zero screen, press **enter** to begin. If there is a remote sensor connected, you must scroll to select **Z1** (built-in sensor) or **Z2** (remote sensor).

* Menu *
Set Zero

Set Zero
Z1

- Before starting the calibration, connect the regulator to the appropriate cylinder (nitrogen for all sensors except combustible, which uses air).
- Adjust the flow rate to the indicated rate.
- Connect the tubing from the regulator to the sensor calibration cap as shown in [Figure 10](#).
- Let the gas flow for at least 3 minutes before starting calibration.
- The next screen requests confirmation. Use the arrow keys to display Yes and press **enter** to confirm.

Set Zero
Yes

A confirmation screen briefly displays and the zero calibration begins.

A success or failure message displays and the screen returns to the main menu option.

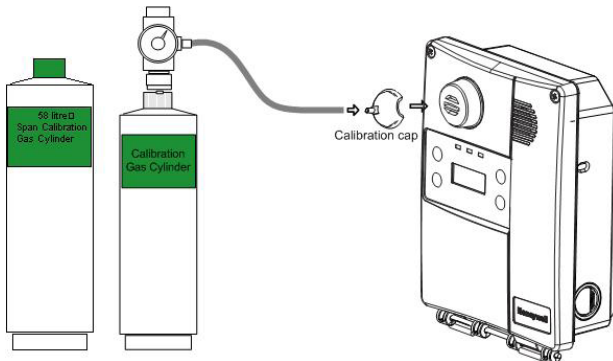


Figure 9. Calibration Installation

Set Span menu



WARNING: If the calibration gas concentration exceeds alarm setpoints, alarms will be triggered. Either change alarm levels so the alarms are not triggered, or put the entire system in service mode so no external equipment (lights, fans, ventilators, buzzers) will be activated.



Only use the Set Span function when inspection or calibration maintenance indicate that it is necessary. See [Periodic Inspection and Maintenance](#).

This option allows users to calibrate the sensor's span. In the main Set Span screen, press **enter** to begin. If there is a remote sensor connected, you must scroll to select **Z1** (built-in sensor) or **Z2** (remote sensor).

* Menu *
Set Span

Set Span
Z1

- Before starting calibration, connect the regulator to the gas cylinder.
 - Adjust the flow rate to 0.5 L/min.
 - Connect the tubing from the regulator to the sensor calibration cap. See [Figure 10](#).
 - Let the gas flow for at least 3 minutes before starting the calibration.
-



If the gas is not allowed to flow for at least 3 minutes, it will affect the calibration accuracy.

The next screen allows you to specify the span calibration gas concentration value.

Set Gas
200 ppm

- Use the arrow keys to increase or decrease the value and press **enter** to select.
- The next screen requests confirmation.

Set Span
Yes

Using the Programming Menus

- Press **enter** to confirm and the screen displays the concentration during calibration.

Set Span
198 ppm

A success or failure message displays and the screen returns to the main menu option.

TestMode Menu

The TestMode menu performs a test of all functions on the unit. All outputs are activated according to their failsafe mode, relay setting, and buzzer setting. All functions are activated simultaneously for a maximum of 3 minutes (or until the user cancels the test) and the 4-20mA output is saturated at 20 mA to ensure working order. The unit does not detect gas during this TestMode procedure. Press **enter** to access the TestMode.

* Menu *
TestMode

- Use the arrow keys to scroll to **Yes** (or **No**) and press any key to begin the test sequence.

TestMode
Yes

- To cancel the test, press **enter** at anytime when **Stop** displays.

TestMode
Stop

Quit Menu

The Quit menu exits the programming functions and returns the screen to its normal display. Press **enter** to exit the programming function.

* Menu *
Quit?

Memory Menu



This menu is reserved for Honeywell Analytics authorized technicians' use only. It contains no modifiable values or information for the user. Changing values may damage the unit.

Using the Programming Menus

Remote Sensor

Description

The E³Point Remote Sensor provides continuous monitoring for one of the following gases in ambient air: CO, H₂S, O₂, NO₂, and combustible hazards. Connected to an E³Point Standalone monitor, it provides dual protection (second location, different gas type).

Safety Information

Users of the E³Point Remote Sensor should fully understand the installation, operating and maintenance instructions, otherwise protection provided by the monitor may be impaired. Read the following warnings before using the monitor.

WARNING:

- **Install according to local electrical regulations and codes.**
- **Installation should be performed by qualified personnel.**
- **Do not paint over the sensor screen.**
- **Ensure the sensor screen is free of dirt and debris.**
- **Ensure the sensor screen is not covered.**
- **Do not expose the monitor to electrical shock or continuous mechanical shock.**
- **Do not expose the sensor to high pressure water spray.**
- **Do not use the monitor if it is damaged. Inspect the monitor before use. Look for cracks, missing metals, or plastics. If the monitor is damaged, contact Honeywell Analytics immediately.**
- **The warranty will be voided if the customer or any unauthorized service personnel attempts to repair the unit.**



Elements Drawing

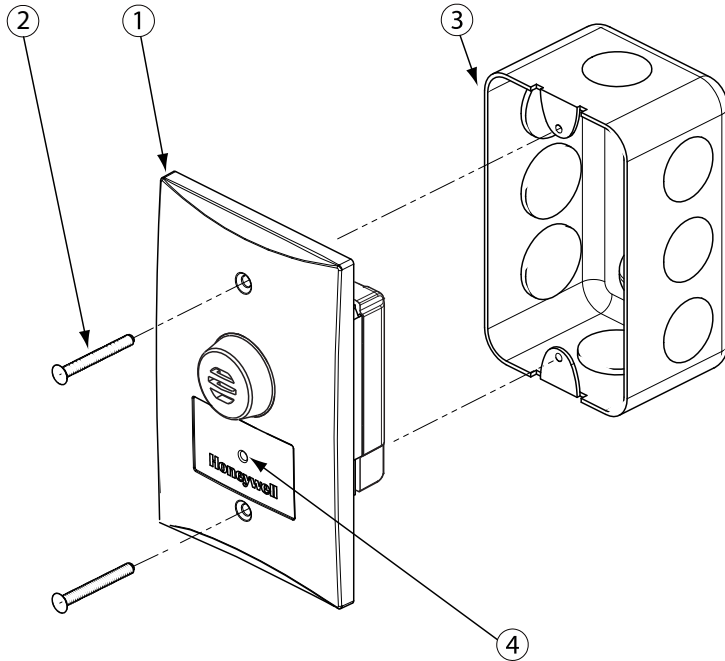


Figure 10. Parts of the Remote Sensor

1. Sensor
2. Mounting screws (2) (not included)
3. Single outlet extra wide (2 3/8") electrical box (not included). T&B BC1110, Hubbell 1110, OZ-Gedney 18112, Appleton 18112, Bowers 10612-BW, Steel City 68371-12. It does not fit steel boxes such as a 4x4" box with a single gang mud ring such as T&B 52C0 or 52C13
4. LED indicator—blinks to indicate communication with main unit



To change a sensor cartridge, disconnect all power to the device, remove the back cover, and pull out the "smart sensor" cartridge and press the replacement cartridge into place. Once the Smart Sensor is firmly in place, replace the back cover and reconnect power. *Use caution when pressing the Smart Sensor into place to avoid bending the pins.*

See [Alarm Menu](#) for special instructions for sensor changing gas types.

Installation

Sensor Locations

The following suggestions should be considered to ensure detection of the target gas. Select the most suitable location for each sensor.

Air Currents: If there are fans, wind, or other sources of air movement, gases may rise or collect in certain areas of a facility. The local air currents should be assessed to aid in selecting the sensor location. Air convection can often be more important in determining gas concentration areas than factors of Vapor Density.

Gas Emission Sources: As a rule, at least one sensor should be located in close proximity to each point where an emission is likely to occur.

Mounting the Enclosure

The E³Point Remote Sensor is mounted in an extra-wide single outlet electrical box supplied by the customer. Install the electrical box according to local electrical codes. Connect the sensor wires according to your configuration using the wiring details provided in this manual and then affix the sensor face plate to electrical box.

Remote Sensor

Specifications

General Technical Specifications

Input power:	24 VAC nominal, 17-27 VAC, 50/60 Hz, 0.35 A 24 VDC nominal, 20-38 VDC
Optional main AC input power:	120 Vac nominal, $\pm 10\%$ (with on-board transformer) @ 0.35 A
Relay output :	2 DPDT relays, 5A @ 250 VAC
Operating environment:	Commercial, indoor
Operating temperature range:	H ₂ S, NO ₂ , O ₂ , Comb.: -40 to 50°C (-40 to 122°F) CO: -20 to 50°C (-4°F to 122°F) Available option CO: -40 to 50°C (-40 to 122°F)
Operating humidity range:	15 to 90% RH non-condensing
Resolution:	CO = 1 ppm O ₂ = 0.1% Vol. H ₂ S = 0.1 ppm, NO ₂ = 0.1 ppm CH ₄ , H ₂ , C ₃ H ₈ , = 0.1% LEL
Operating altitude:	Maximum 2000m (6562 ft)
Audible alarm:	>85 dB at 3 m (10 ft)
Display:	8 character, 2 line LCD
Visual Indicators:	Green LED: Power Amber LED 1: Alarm/Fault Amber LED 2: Alarm/Fault
Enclosure:	Polycarbonate
Dimensions (H x W x D):	20.56 x 14.90 x 6.72 cm (8.09 x 5.87 x 2.65 in.)
Baud rate:	9600 (with 301C controller)
Certifications:	CSA C22.2 No. 61010-1, UL61010

Specifications

E³Point Detection Specifications

Sensor Type	Gas	Range	Detection unit	Alarm A Level	Alarm A Hysteresis
Electrochemical	CO	0/250	ppm	25	-5
Electrochemical	O ₂	0/25	%	19.5	0.5
Electrochemical	H ₂ S	0/50	ppm	10.0	-1.0
Electrochemical	NO ₂	0/10	ppm	0.7	-0.1
Catalytic combustion	(CH ₄)	0/100 (5.0% v/v)	% LEL	25.0	-5.0
Catalytic combustion	(H ₂)	0/100 (4.0% v/v)	% LEL	25.0	-5.0
Catalytic combustion	(C ₃ H ₈)	0/100 (2.1% v/v)	% LEL	25.0	-5.0
	LEL values in accordance to IPCS				

Accuracy is the difference in means of 10 calibration measurements at mid-range and 10 measurements at mid-range, at 25 °C and 45% RH. This difference is presented as a calculated percent of full scale.

Gas	Alarm B Level	Alarm B Hysteresis	Alarm C Level	Alarm C Hysteresis	Accuracy at 25°	Display Resolution
CO	100	-20	225	-20	3%	1 ppm
O ₂	22.0	-0.5	22.5	-0.5	3%	0.1%
H ₂ S	15.0	-1.0	20.0	-5.0	3%	0.1 ppm
NO ₂	2.0	-1.0	9.0	-1.0	3%	0.1 ppm
(CH ₄)	50.0	-5.0	90.0	-5.0	3%	0.1%
(H ₂)	50.0	-5.0	90.0	-5.0	3%	0.1%
(C ₃ H ₈)	50.0	-5.0	90.0	-5.0	3%	0.1%

Accuracy is the difference in means of 10 calibration measurements at mid-range and 10 measurements at mid-range, at 25°C and 45% RH. This difference is presented as a calculated percent of full scale.

Specifications

Remote Sensor Specifications

Power:	Electrochemical sensor: 10-24 VDC, 50 mA
	Catalytic: 10-16 VDC, 100 mA
Operating temperature:	-20 to 50°C (-4 to 122°F)
Operating humidity:	15 to 90% relative humidity (non-condensing)
Sensor type:	Electrochemical cell (CO, NO ₂ , H ₂ S, O ₂); catalytic (Comb)
Visual indicator:	Amber LED (Tx)
Size (DxWxH):	3.5 x 4.5 x 6.5 cm (1.36 x 1.75 x 2.56 in.)
Weight:	38 g (1.34 oz.)

Detection Ranges and Alarm Levels

Gas Detected		Range	Alarm A	Alarm B	Alarm C	Maximum Overload
CO	Carbon monoxide	0-250 ppm	25 ppm	100 ppm	225 ppm	500 ppm
H ₂ S	Hydrogen sulfide	0-50 ppm	10 ppm	15 ppm	20 ppm	150 ppm
NO ₂	Nitrogen dioxide	0-10 ppm	0.7 ppm	2 ppm	9 ppm	1000 ppm
O ₂	Oxygen	0-25 %vol	19.5 %vol.	22 %vol.	22.5 %vol	100 %vol
COMB	Combustibles	0-100 %LEL	25 %LEL	50 %LEL	90 %LEL	100 %LEL

Maximum Overload is the sensor exposure to gas concentration that may result in permanent damage to the sensor.

Sensor Over Range

- Sensor over range occurs whenever the detected gas concentration level is higher than the full scale value of the sensor.
- When an over range condition occurs, the LCD displays “OVRRRANGE” and the buzzer sounds for 50 milliseconds, once every 10 minutes.
- The LED blinks once per second normally but twice per second during an over range condition.
- When the gas concentration falls back within the full scale range of the cell, the the buzzer is silenced and the LCD displays the current concentration.
- After an over range occurrence, the LCD will display an asterisk appended after the concentration level in this form:

xxxPPM*

where “xxx” is the current gas level. For combustible and oxygen sensors, this will appear as “xx.x%*”, where “xx.x” is the percent of full scale.

- To clear the appended asterisk from the display, press the ESC key for 8 seconds.

NOTE: If the system has experienced an over range condition, the sensor should be bump tested to verify that it still responds to the presence of gas. It also should be recalibrated at the next maintenance interval. See [Periodic Inspection and Maintenance](#).

Standard Mounting Parts List

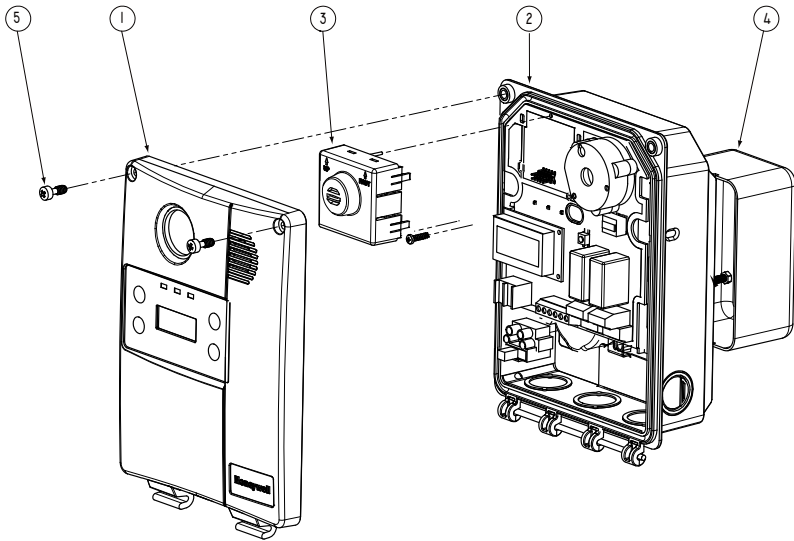


Figure 11. Parts of the E³Point

Item #	Description
1	E³Point cover
2	E³Point housing base
3	Main sensor assembly
4	Large rectangular J-box (not included)
5	Captive screw 10-32 x ½" (tamper proof screw also available)



To change a sensor cartridge, cut all power to the device and simply pull out the “smart sensor” cartridge and press the replacement cartridge into place. Be sure TOP/HAUT is toward the top of the unit. Once the Smart Sensor is firmly in place, reconnect power. *Use caution when pressing the Smart Sensor cartridge into place to avoid bending the pins.*

See [Alarm Menu](#) in the Using the Programming Menus, section for special instructions for changing sensor gas types.

Duct Mount Parts List

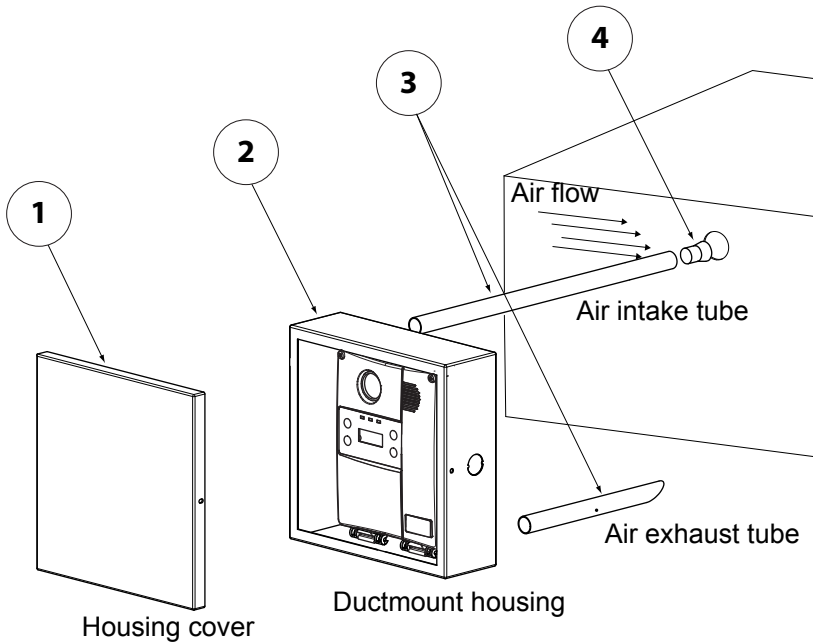


Figure 12. Duct Mount Parts List

Item #	Description
1	E³Point duct mount assembly cover
2	E³Point duct mount assembly base
3	Air intake and exhaust tubes
4	Plug (for air intake tube)

Specifications

Periodic Inspection and Maintenance

This unit requires regular inspection, including gas tests. The frequency will be determined by the operating conditions, which includes extreme temperatures, exposure to contaminants or gas. Inspect the unit at least every 6 months. E³Point units should be bump/gas tested once every 6 months and calibrated once every 12 months.

Contact a Honeywell Sales or Service representative for information about maintenance. Calibration kits with instructions are available from Honeywell.

Maintenance

The unit will provide years of service with minimal care.

- Visually inspect at regular intervals to ensure optimum operating condition (no breakage, sensor filter not blocked or clogged, etc.).
- An accurate maintenance log of all maintenance, calibration, gas tests, and occurrences must be maintained for the proper service of this product.
- Do not expose the sensor to high pressure water spray. Sensors should not be exposed to solvents.
- Clean the exterior with a soft, damp cloth. Do not use solvents, soaps, or polishes.
- Do not immerse the unit in liquids.

Sensor Life Span

Sensor life span may be affected by certain operating conditions or by exposure to concentrations higher than the detection range.

Sensor Type	Life Span Specifications (typical)
CO	6 years, normal use at temperatures > -10°C
H ₂ S	3 years, in air
NO ₂	3 years, in air
O ₂	3 years until readings are at 85% of original 20.9% input
COMB	3 years, in air

Troubleshooting

If the E³Point encounters errors, the LCD will display a 2-digit error code. The following table provides an explanation of these codes. **Contact Technical Services if any of these error codes appear.**

Error Code	Description
01	Main board eeprom error
02	Main board power glitch
03	Sensor board eeprom error
04	Sensor board eeprom uninitialized
05	Sensor board ADC failure
06	Sensor board ADC high saturation/clipping
07	Sensor board ADC low saturation/clipping
08	Sensor span gain not calibrated
09	Sensor not responding to span calibration
10	Sensor unstable while in span calibration
11	Sensor span gain too high
12	Sensor span gain too low
13	Sensor baseline not calibrated
14	Sensor baseline offset too high
15	Sensor baseline offset too low
16	Sensor reflex test (self-test) failed. See Sensor Overload in Specifications.
17	Sensor end of life reached
18	Sensor due for calibration
19	Temperature sensor ADC signal too high
20	Temperature sensor ADC signal too low
21	Power overload caused by the presence of two high-powered sensors
22	Remote sensor communication error

If an O₂ sensor displays 0% and is in Alarm A status when no nitrogen is present, the sensor may be missing or defective. Contact Technical Services.

Limited Warranty

Limited Warranty

Honeywell Analytics, Inc. warrants to the original purchaser and/or ultimate customer (“Purchaser”) of Honeywell products (“Product”) that if any part thereof proves to be defective in material or workmanship within one (1) year, such defective part will be repaired or replaced, free of charge, at Honeywell Analytics’ discretion if shipped prepaid to Honeywell Analytics at 4005 Matte Blvd., Suite G, Brossard, Quebec, Canada, J4Y 2P4, in a package equal to or in the original container. The Product will be returned freight prepaid and repaired or replaced if it is determined by Honeywell Analytics that the part failed due to defective materials or workmanship. The repair or replacement of any such defective part shall be Honeywell Analytics’ sole and exclusive responsibility and liability under this limited warranty.

Re-Stocking Policy

The following re-stocking fees will apply when customers return products for credit:

15% re-stocking fee will be applied if the product is returned within 1 month following the shipping date

30% re-stocking fee will be applied if the product is returned within 3 months following the shipping date.

A full credit (less re-stocking fee) will only be issued if the product is in perfect working condition. If repairs are required on the returned product, the cost of these repairs will be deducted from the credit to be issued.

No credits will be issued beyond the three month period.

Exclusions

If gas sensors are part of the Product, the gas sensor is covered by a twelve (12) month limited warranty of the manufacturer.

If gas sensors are covered by this limited warranty, the gas sensor is subject to inspection by Honeywell Analytics for extended exposure to excessive gas concentrations if a claim by the Purchaser is made under this limited warranty. Should such inspection indicate that the gas sensor has been expended rather than failed prematurely, this limited warranty shall not apply to the Product.

Limited Warranty

This limited warranty does not cover consumable items, such as batteries, or items subject to wear or periodic replacement, including lamps, fuses, valves, vanes, sensor elements, cartridges, or filter elements.

Warranty Limitation and Exclusion

Honeywell Analytics will have no further obligation under this limited warranty. All warranty obligations of Honeywell Analytics are void if the Product has been subject to abuse, misuse, negligence, or accident or if the Purchaser fails to perform any of the duties set forth in this limited warranty or if the Product has not been operated in accordance with instructions, or if the Product serial number has been removed or altered.

Disclaimer of Unstated Warranties

The warranty printed above is the only warranty applicable to this purchase. All other warranties, express or implied, including, but not limited to, the implied warranties of merchantability or fitness for a particular purpose are hereby disclaimed.

Limitation of Liability

It is understood and agreed that Honeywell Analytics' liability, whether in contract, in tort, under any warranty, in negligence or otherwise shall not exceed the amount of the purchase price paid by the purchaser for the product and under no circumstances shall Honeywell Analytics be liable for special, indirect, or consequential damages. The price stated for the product is a consideration limiting Honeywell Analytics' liability. No action, regardless of form, arising out of the transactions under this warranty may be brought by the purchaser more than one year after the cause of actions has occurred.

Dispositif de détection de gaz

**Manuel d'utilisateur E³Point®
moniteur de gaz autonome**

Définitions des symboles

Le tableau suivant contient la liste des symboles utilisés dans ce document pour indiquer certaines conditions :






Symbol	Definition
	ATTENTION: Identifie une information demandant une attention spéciale
	Truc: Identifie un conseil ou un truc pour l'utilisateur, souvent concernant une tâche
	RÉFÉRENCE - INTERNE Indique une source d'information supplémentaire à l'intérieur du document.
CAUTION	Indique une situation à éviter pouvant entraîner des dommages au système ou la perte de travail (documents) ou pouvant prévenir l'opération normale du système.
	ATTENTION : Indique une situation potentiellement dangereuse qui peut entraîner des blessures mineures ou modérées si pas évité. Peut également signaler des actions dangereuses
	ATTENTION: Un symbole sur l'équipement qui réfère l'utilisateur à la documentation pour de plus amples informations. Ce symbole apparaît à côté des informations nécessaires dans le manuel.
	AVERTISSEMENT : Indique une situation potentiellement dangereuse qui peut entraîner des blessures majeures ou la mort si pas évité.
	AVERTISSEMENT Un symbole sur l'équipement qui réfère l'utilisateur à la documentation pour de plus amples informations. Ce symbole apparaît à côté des informations nécessaires dans le manuel.

Table des matières

Définitions des symboles	i
Introduction	1
Installation	2
Choisir l'emplacement de la sonde	2
Hauteur d'installation	3
Montage mural	4
Directives générales de montage :	5
Très important:.....	5
Montage sur gaine	6
Montage sur gaine spécial	6
Connexions	7
Directives	7
Schémas de connexion	8
Connexions principales	8
Configuration passive 3-fils	8
Configuration passive 4-fils	9
Connexion 120 VCA	10
Connecter la sonde à distance à l'unité principale	11
Test d'installation	12
Opération	13
Procédure de démarrage	13
Réchauffement de la sonde.....	14
Interface utilisateur.....	14
Comment utiliser les menus de programmation	15
Options de menu principal	15
Menu MotPasse.....	16
Menu Affichage.....	16
Menu Relais.....	17
Menu Avertis.....	18
Menu Alarme	19
Menu RAZ Etal.....	21

Table des matières

Menu Temp.....	21
Menu Cal Zero.....	23
Menu Etalon.....	24
Menu ModeTest.....	25
Menu Quitter.....	26
Menu Memoire.....	26
Sonde à distance.....	27
Description.....	27
Information de sécurité.....	27
Éléments de l'unité.....	28
Installation.....	29
Emplacement des sondes.....	29
Montage de l'unité.....	29
Spécifications.....	31
Caractéristiques techniques.....	31
Caractéristiques de détection E ³ Point.....	32
Spécifications du détecteur à distance.....	34
Plages de détection et niveaux d'alarme.....	34
Dépassement d'échelle du capteur.....	35
Pièces pour montage standard.....	36
Pièces pour montage sur gaine.....	37
Inspection et entretien régulier.....	38
Entretien.....	38
Durée de vie de la sonde.....	38
Dépannage.....	39

Introduction

Le E³Point c'est : gestion Énergétique, Efficacité et Économie

Le E³Point est un système de détection de gaz toxique ou combustible qui comporte toutes les plus robustes fonctionnalités des produits renommés de Honeywell Analytics, tels le 201T et le 301M. Quoique le E³Point est un nouveau produit innovateur, il est tout de même compatible avec les fonctions de ces produits de première génération.

Le système de détection de gaz E³Point comprend un capteur de gaz (électrochimique ou catalytique), une unité de contrôle et un ensemble de (sorties; 4 à 20 mA, avertisseur et relais), et ce, en un seul produit robuste et fiable : son boîtier de polycarbonate résiste à l'oxydation, aux bosses et à la corrosion.

En plus d'une sonde intégrée, le moniteur autonome E³Point peut accepter un deuxième détecteur à distance. Cette configuration permet au E³Point de détecter deux gaz, dans deux emplacements différents.

Le E³Point peut être installé sur un mur, dans une boîte électrique standard ou dans un conduit avec un boîtier conçu à cet effet. Il convient aux utilisations dans des environnements commerciaux, intérieurs tels des parcs de stationnement dans certains environnements extérieurs.

L'installation à 3 étapes (montage, câblage et mise sous tension) est à la fois économique et efficace. Les unités sont expédiées avec des dessins sur mesure pour indiquer les endroits les plus efficaces pour installer les détecteurs.

Installation

Choisir l'emplacement de la sonde

Puisque les E³Point sont expédiés avec des schémas de réseau sur mesure pour indiquer le meilleur emplacement des unités, les seuls facteurs à planifier sont la hauteur d'installation et les objectifs de détection. Si l'objectif premier est la détection rapide de fuite, installer l'unité près de la source potentielle d'une fuite. Par conséquent, la concentration indiquée ne reflètera pas l'exposition réelle des employés (es) et l'accès facile pour étalonnage ou entretien risque d'être compromis.

Courants d'air : les gaz ont tendance à s'accumuler dans certains endroits d'un immeuble lorsqu'il y a des ventilateurs, du vent ou d'autres sources de mouvement de l'air. Effectuer une évaluation des courants d'air pour mieux choisir l'emplacement d'un détecteur. La convection de l'air est souvent plus importante que la densité de vapeur pour cibler les zones d'accumulation de gaz.

Sources d'émission de gaz : en règle générale, au moins un détecteur devrait être installé près de chaque endroit où les émissions peuvent se produire.



ATTENTION: Puisque chaque sonde « rapporte » uniquement sa lecture actuelle, il est essentiel d'installer la sonde là où les fuites sont plus aptes à se produire.

Hauteur d'installation

Gaz détecté		Densité relative	Hauteur d'installation
		(air = 1)	
CO	Monoxyde de carbone	0.968	1 – 1.5 m (3 – 5 pi.) du sol
H ₂ S	Sulfur d'hydrogène	1.19	30 cm (1 pi.) du sol
*NO ₂	Dioxyde d'azote	1.58 (froid)	30 cm – 1 m (1–3 pi.) du plafond
O ₂	Oxygène	1.43	1 – 1.5 m (3 – 5 pi.) du sol
COMB	La plupart des combustibles sont plus lourds que l'air, excepté le méthane et l'hydrogène. Pour les gaz plus lourd que l'air, des capteurs devraient être installés à environ 30 cm du sol. Pour les combustibles plus légers que l'air, des capteurs devraient être installés à 30 cm du plafond, près de la source potentielle de fuite.		

* Peut varier dans certaines situations: le NO₂ chaud, provenant de systèmes d'échappements est plus léger que l'air ambiant.



ATTENTION: Certaines matières, incluant, mais pas limitée à, plomb tétraéthyle, silicones, certains produits sulfureux, phosphoreux et chlorés, peuvent empoisonner la sonde, ce qui réduit la sensibilité de la sonde.

Montage mural

Le montage est généralement effectué sur des murs ou des colonnes de béton, mais l'unité peut être installée sur toute surface verticale. Le boîtier comporte des entretoises de montage permettant à l'humidité de couler derrière le boîtier sans nuire à l'unité.

- Les trous de montage sont à l'intérieur du boîtier. Ouvrir pour accéder aux trous de montage.
- Marquer les trous :
 - Largeur 11.1 cm (4 3/8"), si montage directement sur mur
 - Hauteur 8.3 cm (3.281")

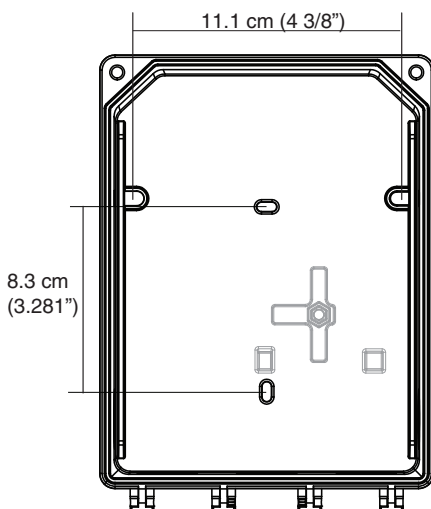


Illustration 1. Dimensions de l'unité

- Percer les trous à l'arrière du boîtier, au besoin
- Fixer sécuritairement avec les vis et les ancrages appropriés. L'unité est conçue pour utiliser les vis #6. Visser à une tension de 8.7 lb-po (1 Nm) maximum.
- Fermer et visser le couvercle de l'unité à une tension de 29.7 lb-po (3 Nm).
- Ne pas enlever la carte de circuit lors du perçage des trous poinçonnés.
- Le trou poinçonné à l'endos de l'unité n'est pas conçu pour l'entrée de conduit.

Directives générales de montage :

- Doit être facile d'accès pour l'étalonnage et l'entretien.
- Installer la sonde près de la source potentielle de fuite pour assurer une détection rapide.
- Si le but premier est la protection du personnel, installer la sonde dans la « zone de respiration » (1 – 1.5 m du sol, soit la zone où respire une personne).
- Protéger la sonde de l'eau, des excès d'humidité et d'arrosement.
- Tenir compte de la circulation d'air et de la ventilation.
- Pour éviter l'interférence électrique, éloigner la sonde et le câblage de toutes lumières à vapeur de mercure, moteurs électriques à vitesse variable et de répéteur radioélectrique.
- Protéger le détecteur de tout accident matériel (camions monte charge, etc.).
- Ne pas installer le détecteur au dessus d'une porte de chambre frigorifique.
- Pour les emplacements hautement critiques, plus d'un détecteur devrait être installé dans chaque local.

Très important:

- **Jamais** installer le détecteur sur un plafond
- **Jamais** installer le détecteur sur une surface où il y a des vibrations.

Montage sur gaine

Montage sur gaine spécial

Cette option fonctionne idéalement lorsque le débit de circulation d'air est entre 500 et 4 000 pi / min.

Il est nécessaire d'utiliser un boîtier conçu précisément pour le montage sur gaine du E³Point. Toutes les composantes à l'intérieur du boîtier sont assemblées en usine.

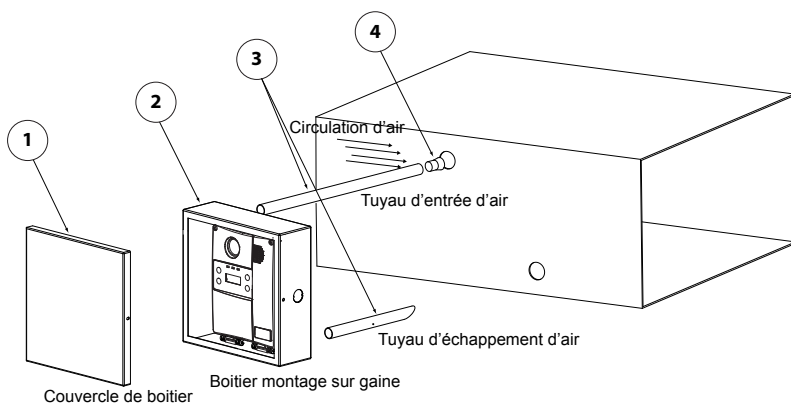


Illustration 2. Montage sur gaine

1. Choisir l'emplacement d'installation.
2. Mesurer et marquer les trous pour l'entrée et l'évacuation d'air.
3. Perçer les trous pour les tuyaux d'échantillonnage (s'assurer qu'ils soient assez large pour passer le bouchon de liège).
4. Insérer et visser les tuyaux d'échantillonnage au boîtier
5. Insérer les tuyaux dans les trous percés dans la gaine.



S'assurer d'orienter les trous du tuyau d'entrée d'air sont vers la circulation d'air.

6. Visser le boîtier de montage sur la gaine.
7. Enlever les trous poinçonnés et affixer le serre-fils approprié.
8. Passer les fils dans le trou du boîtier de montage et du détecteur, selon les schémas de connexion.
9. Visser le couvercle du E³Point puis fermer le boîtier de montage.

Connexions

Directives

Les connexions électriques doivent être conforme à tous les codes applicables. Discuter des équipement et des conditions de fonctionnement avec le personnel d'exploitation pour déterminer s'il existe des besoins particuliers.

Mettre le blindage à la terre au panneau de contrôle principal. Connecter le fil de blindage au connecteur du bornier identifié ***shield***. Mettre du ruban sur tout les fils de blindage exposés pour l'isoler du boîtier.

Alimentation électrique : 24 VCC/VCA nominal, 0.25 amp maximum.

Sortie : La sonde fixée sur la carte de circuit fournit une sortie 4@20 linéaire. L'équipement de surveillance peut avoir une impédance maximum de 500 ohms.

Câblage : Le câblage de signal devrait être effectuer avec paire de fils #20-24 AWG pair, torsadés et blindés Belden 9841, ou similaire.

Le câblage d'alimentation doit utiliser le câble selon les normes locales, mais jamais moins de #20 AWG. Le câblage pour le 120 VCA doit être #14 ou #12 AWG.

Schémas de connexion

Connexions principales

- Connecter l'alimentation au bornier J1
- Connecter les fils de communication au bornier J2
- Connecter les dispositifs externes (ventilateur, stroboscope, etc.) aux borniers de relais J5, J6.

Configuration passive 3-fils

(VCC seulement)

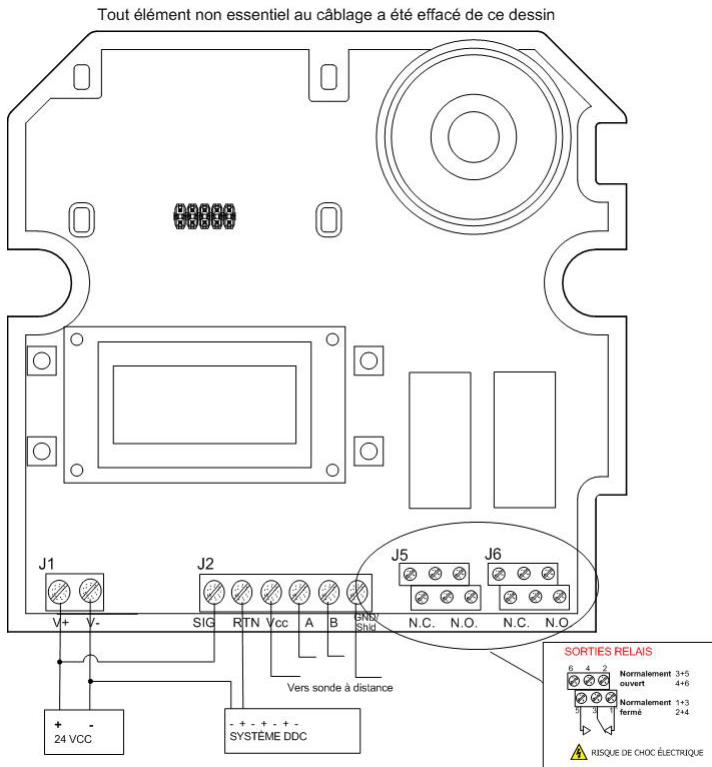


Illustration 3. Configuration passive 3-fils

Configuration passive 4-fils

Tout élément non essentiel au câblage a été effacé de ce dessin

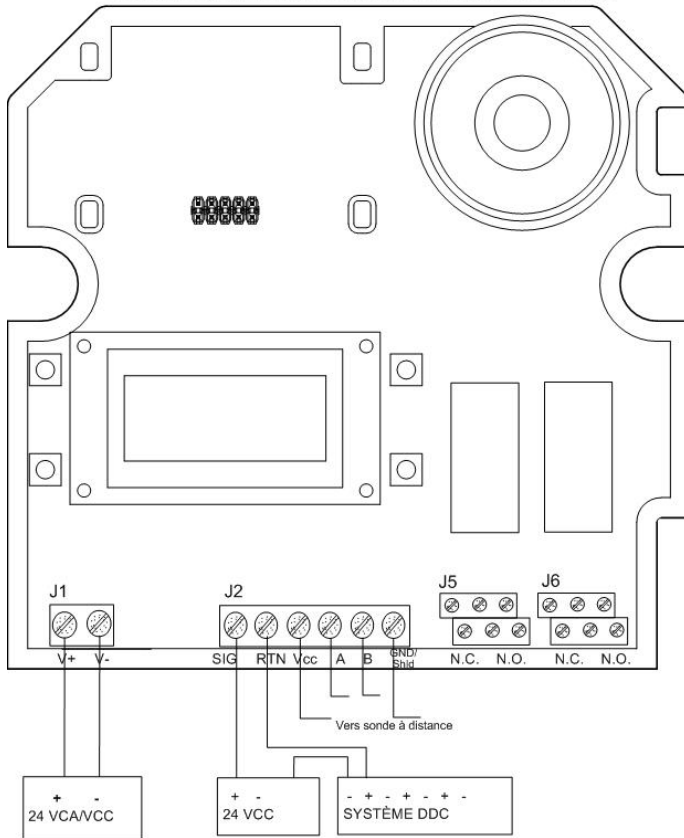


Illustration 4. Configuration passive 4-fils

Connexion 120 VCA

Le transformateur est monté sous la carte de circuit et les connexions au bornier d'alimentation sont effectuées en usine. Connecter les fils de tension et neutre tel qu'illustré (s'assurer qu'il n'y a aucun courant sur les fils avant d'effectuer la connexion). Remplacer avec un fusible du même type, 1 A, 250 VAC, T.

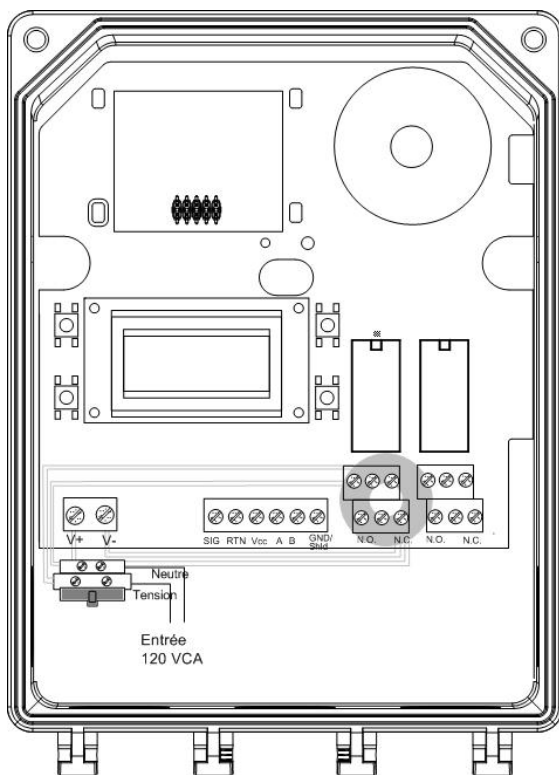


Illustration 5. 120 VCA Connection

Connecter la sonde à distance à l'unité principale

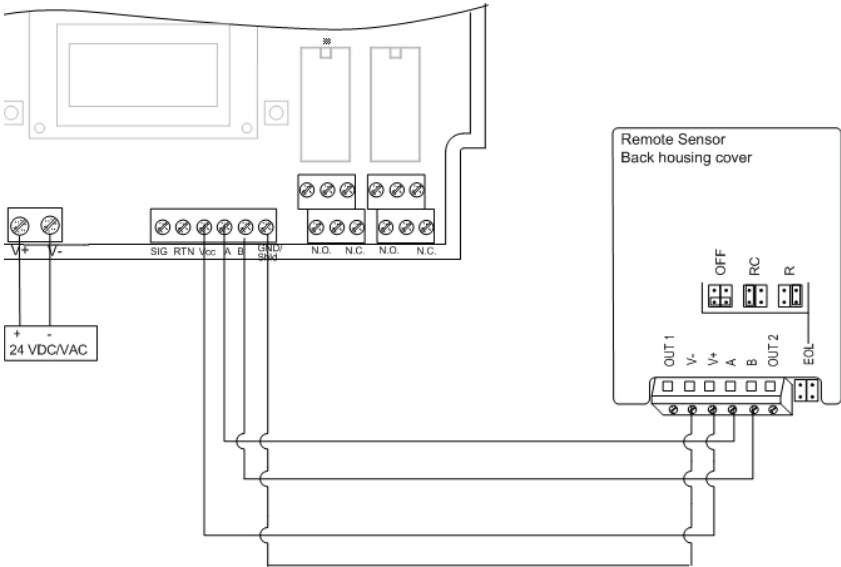


Illustration 6. Connexion sonde à distance à l'unité principale



Les connecteurs OUT1 et OUT2 sur le bornier de la sonde à distance ne sont pas utilisés. NE PAS connecter de fils à ces endroits.

Câblage : Le câblage de signal devrait être effectué avec #20-24 AWG avec paire de fils #20-24AWG, torsadés et blindés Belden 9841, ou similaire. La sonde à distance ne doit pas avoir plus de 61 m (200 pi.) de câble #22 AWG. Les calibres plus petits sont limités par la même limite de résistance.

Le câblage d'alimentation doit utiliser le câble selon les normes locales, mais jamais moins de #20 AWG. Le câblage pour le 120 VCA doit être #14 ou #12 AWG.

Test d'installation

Lorsque l'unité est installée et toutes les connexions sont complétées, il est recommandé d'effectuer un test des fonctions de l'unité. Pour démarrer le test, il est nécessaire d'accéder au menu de programmation :

- Mettre l'unité sous tension puis permettre 5 minutes pour la procédure de réchauffement (permettre 15 minutes de réchauffement pour la sonde de O₂).
- Appuyer sur la touche « **entrée** » du clavier.
- L'afficheur à CL à affiche l'écran **MotPasse**. Voir [Menu MotPasse](#).

Dans le menu de programmation, utiliser les touches de flèches pour naviguer à l'option **ModeTest**. Voir [Menu ModeTest](#).

Le menu **ModeTest** effectue un essai de toutes les fonctions de l'unité, telles les DEL, l'avertisseur, les relais, etc. Toutes les sorties sont activées selon le mode de sécurité intégré, les paramètres de relais et d'avertisseur. Toutes les fonctions sont activées simultanément pendant un maximum de 3 minutes (ou jusqu'à l'utilisateur annule le test en appuyant sur une touche) pour assurer leur bon fonctionnement.



L'unité ne détecte aucun gaz pendant la procédure du **ModeTest**.

Une fois le bon fonctionnement de toutes fonctions confirmé, l'unité est entièrement fonctionnelle.

Dans le cas d'échec de n'importe quelle fonction, vérifier les connexions et répéter le test.

Opération

Le système de détection de gaz E³Point est configuré en usine pour être conforme à certaines normes. Le E³Point est conçu pour être complètement opérationnel après l'installation et de simples procédures de stabilisation.

Procédure de démarrage

Avant de connecter l'alimentation, vérifier tout les fils pour leur continuité, des courts circuits, la mise à la terre, etc. Vérifier le fonctionnement des DELs après la mise sous tension, selon le tableau suivant :

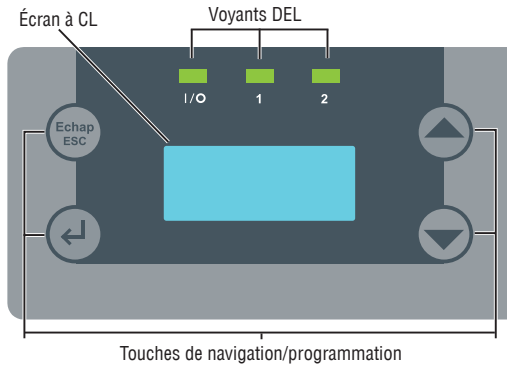


Illustration 7. ACL E³Point

LED	Description	Display Modes
I/O	Alimentation	Toujours allumé = opération normale
		Toujours éteint = faute de microcontrôleur ou d'alimentation
		Clignotement (deux fois par seconde) = auto-test
1	Sonde intégrée	Toujours allumé = déclenchement de l'alarme A
		Clignotement lent = déclenchement de l'alarme B/C (1 fois par seconde)
		Clignotement rapide = Faute (4 fois par seconde)
2	Sonde à distance	Toujours allumé = déclenchement de l'alarme A
		Clignotement lent = déclenchement de l'alarme B/C (1 fois par seconde)
		Clignotement rapide = Faute (4 fois par seconde)

Opération

Réchauffement de la sonde

Lors de la première mise sous tension, l'unité doit compléter une période de réchauffement de 5 minutes (15 minutes pour les sondes de O_2). L'écran affichera « **Warm-Up** » pendant cette période. La sortie 4@20 mA sera maintenue à 4mA pour toutes les sondes, sauf la sonde de O_2 qui sera à 17.4 mA (égal à 20.9%).

Veillez noter que la sonde atteindra sa pleine performance quelques heures après son branchement.

Interface utilisateur

Le détecteur de gaz E³Point est muni d'un écran à CL de 2 lignes de 8 caractères par ligne. L'écran affiche les informations de lecture et sert d'interface de fonction de programmation et d'étalonnage.

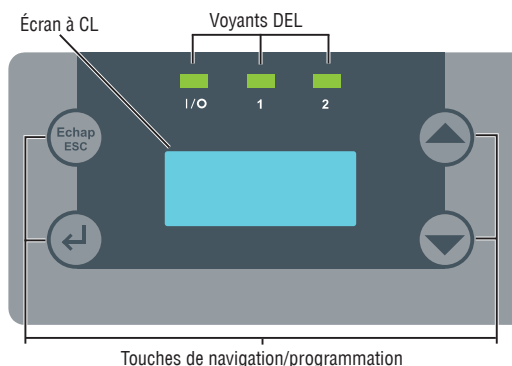


Illustration 8. ACL E³Point

L'écran à CL affiche les valeurs de lecture (type de gaz, la concentration et la valeur de mesure (soit en ppm ou en %) en temps réel et sur quelle sonde (intégrée ou à distance).



Annuler une modification ou quitter un menu



Permet d'accéder aux menus et de confirmer une modification.



Permettent de naviguer les options de menu et d'augmenter ou de diminuer des valeurs.

Comment utiliser les menus de programmation

Les menus de programmation offrent une gamme d'options permettant de personnaliser le système de détection de gaz. Appuyer sur la touche la touche **entrée** pour accéder aux menus.



ATTENTION: Seul le personnel de service expert, qualifié, devrait utiliser les fonctions de programmation de cet unité. Les paramètres configurés en usine sont conforme à des normes précises (voir la section *Spécifications*) : Toute modification des niveaux d'alarme peut affecter ou rendre nul les énoncés de conformité du fabricant.

Options de menu principal

Chaque option de menu comporte des sous options.

Option de menu	Description
MotPasse	Protège les menus des accès non autorisés
Affich.	Permet de sélectionner le mode d'affichage discret.
Relais	Permet de définir si les relais seront verrouillés, à sécurité intégrée ou simplement activés
Avertis.	Permet de choisir soit activé ou silence
Alarme	Permet la configuration des divers niveaux d'alarme
RAZ Etal	Réinitialise le dispositif avec les paramètres <i>d'étalonnage</i> configurés en usine
Temp	Précise le niveau maximum de température
CalZero	Ajuste le zéro de la sonde
Etalon	Étalonne la sonde
ModeTest	Simule les événements aux fins d'essai sans interrompre la lecture de la sonde
Memoire	Reservé aux techniciens certifiés par Honeywell Analytics.
Quitter	Quitte les menus de programmation et remet le dispositif en mode de fonctionnement normal.

Comment utiliser les menus de programmation

Menu MotPasse

L'accès aux menus de programmation est protégé par mot de passe (le mot de passe est HA). Appuyer sur la touche la touche entrée pour afficher l'écran MotPasse.

MotPasse
AA

- Appuyer sur une flèche pour changer le premier caractère à **H** puis appuyer sur la touche la touche entrée pour confirmer et pour déplacer le curseur au prochain caractère
- Appuyer sur une flèche pour changer le deuxième caractère à **A** puis appuyer sur la touche la touche **entrée** pour confirmer le mot de passe et accéder aux menus.
- Utiliser les touches de flèches pour naviguer entre les options de menu.

Menu Affichage

Le menu Affichage permet de sélectionner le langage d'affichage (**English** ou **Français**) et si l'unité est en mode **Discret**. Lorsqu'en mode Discret, l'écran s'éteint après 3 minutes d'inactivité (simplement toucher une touche pour réactiver l'écran).

* Menu *
Affich

- Appuyer sur la touche **entrée** pour afficher l'écran **Language**, ou appuyer sur une flèche pour afficher **Discrete**, puis appuyer sur la touche entrée pour sélectionner.

Affich
Language

- Dans l'écran **Language**, utiliser les flèches pour dérouler à **Français** ou **English** puis appuyer sur la touche **entrée** pour sélectionner.

Affich
Discret

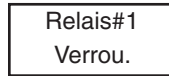
- Dans l'écran **Discret**, utiliser les touches de flèches pour afficher **Oui** ou **Non** puis appuyer sur la touche **entrée** pour confirmer.

Menu Relais

Le menu Relais permet de sélectionner si les relais seront verrouillés, à sécurité intégrée (Failsafe) ou activés. Appuyer sur la touche **entrée** pour afficher les options de relais.



Utiliser les touches de flèches pour naviguer à l'option désirée puis appuyer sur la touche **entrée** pour sélectionner une des options suivantes :



Verrou.: Les relais demeurent activés, mêmes si l'événement revient en état normal. Utiliser les touches de flèches pour afficher soit **Oui** ou **Non** puis appuyer sur la touche **entrée** pour confirmer. Lorsqu'un relais verrouillé est activé, enfoncer une touche pendant 5 secondes pour le remettre à son état normal.

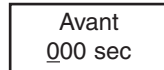
Securite : Les relais seront en condition normal mais seront hors tension lors d'un arrêt, d'une faute du contrôleur ou lorsqu'une alarme est déclenchée. Utiliser les touches de flèches, pour afficher soit **Oui** ou **Non** puis appuyer sur la touche **entrée** pour confirmer.

Activer : Relais #2 seulement. Peut être configuré pour activer avec B (alarme B) ou F (Faute).

Delais : Permet de préciser un délai avant ou après l'activation ou la désactivation d'une alarme de relais.



- Appuyer sur une flèche pour afficher soit **Avant** ou **Après** puis appuyer sur la touche **entrée** pour sélectionner.



- Utiliser les touches de flèches pour augmenter le délai en secondes. Appuyer sur la touche **entrée** pour confirmer la valeur.



- Appuyer sur la touche entrée encore pour confirmer le délai (ou appuyer sur une flèche pour afficher **Non** pour annuler le délai).

Menu Avertis

Le menu Avertis. permet de préciser si l'alarme sonore intégré peut être désactivé en appuyant sur une touche ou de préciser quels événements activeront l'avertisseur.

* Menu *
Avertis

- Appuyer sur la touche **entrée** pour accéder au menu Avertis. L'écran affiche soit **Activer** ou **Silence**.
- Utiliser les touches de flèches pour afficher l'option désirée puis appuyer sur la touche **entrée** pour sélectionner.

Avertis
Activer

La sélection de l'option **Silence** permet de désactiver l'avertisseur (sans affecter l'événement) en appuyant sur une touche pendant 5 secondes.

La sélection de l'option Activer offre les options suivantes :

- B: L'avertisseur sera activé lorsque le niveau d'alarme B sera atteint.
F: L'avertisseur sera activé lors d'une faute de système ou de sonde.
Desact: L'avertisseur est complètement désactivé. Cependant, l'avertisseur émettra un bip rapide aux 10 minutes lors d'un événement majeur.

Menu Alarme



ATTENTION: Seules les personnes qualifiées devraient utiliser les fonctions de programmation de cet appareil. L'unité est configurée en usine pour être conforme à des normes précises (voir les Caractéristiques): toute modification des niveaux d'alarme peut compromettre la conformité de l'appareil à ces normes.

Le menu Alarme permet de configurer des niveaux d'alarmes différents des niveaux configurés en usine. Appuyer sur la touche **entrée** pour accéder aux options du menu. S'il y a une sonde à distance connectée, utiliser les touches de flèches pour afficher soit **Z1** (sonde intégrée) ou **Z2** (sonde à distance puis appuyer sur la touche entrée pour sélectionner.

* Menu *
Alarme

Alarme
Z1

- Utiliser les touches de flèches pour naviguer à l'option désirée, soit Alarme **A**, **B** ou **C** puis appuyer sur la touche **entrée** pour sélectionner. L'écran affiche le niveau d'alarme par défaut.

Alarme
A



Il n'y a pas d'option Alarme C pour la sonde à distance (Z2).

- Utiliser les touches de flèches pour augmenter ou diminuer la valeur puis appuyer sur la touche **entrée** pour confirmer la nouvelle valeur.

Alarme A
0025 PPM



Lorsque les configurations d'alarmes sont modifiées, les nouvelles valeurs sont enregistrées dans le dispositif principal, donc il ne sera plus nécessaire de modifier les valeurs lors d'un remplacement.



ATTENTION: Si, dans de cas exceptionnels quand d'un remplacement de la cartouche, la nouvelle sonde détecté cible un différent type de gaz, les valeurs antérieurement enregistrées ne seront plus valides et il sera nécessaire de les corrigés.

Comment utiliser les menus de programmation

- Le prochain écran affiche la valeur D'hysteresis. Utiliser les touches de flèches pour augmenter ou diminuer la valeur puis appuyer sur la touche **entrée** pour confirmer.

Hyst A -0 <u>5</u>

- L'écran Hyst(erisis) est affiché. Cette valeur, ajoutée au niveau d'alarme, indique le niveau auquel l'unité désactivera l'alarme (ex.: le niveau de l'Alarme A est 25 ppm, moins un niveau d'hystérisis de -05, égal un niveau de désactivation de 20 ppm. Utiliser les touches de flèches pour augmenter ou diminuer la valeur puis appuyer sur la touche entrée.
- Un écran de confirmation est affiché. Appuyer sur la touche **entrée** pour confirmer.

Alarme Oui

L'écran affiche brièvement un message de succès puis retourne au menu principal.

Menu RAZ Etal



ATTENTION: Seules les personnes qualifiées devraient utiliser la fonction RAZ Etal de cet appareil. Les paramètres d'étalonnage sont configurés en usine pour être conforme à des normes précises : toute modification peut compromettre la conformité de l'appareil à ces normes.

Le menu RAZ Etal permet de réinitialiser les informations d'étalonnage aux paramètres configurés en usine. Appuyer sur la touche entrée pour accéder au menu RAZ Etal.

* Menu *
RAZ Etal

- Utiliser les touches de flèches pour afficher soit **Oui** ou **Non**, puis appuyer sur la touche entrée pour confirmer le choix.

RAZ Etal
Yes

L'écran affiche brièvement un message de succès puis retourne à l'option de menu principal.

RAZ Etal
Succes

Menu Temp

Le menu Temp permet de préciser la température maximale pour l'alarme de température du dispositif, ce qui peut servir à activer l'appareil connecté au relais.

* Menu *
Temp

Appuyer sur la touche **entrée** pour accéder au menu **Temp**, puis utiliser les touches de flèches pour sélectionner soit **Desact.** ou **Activer.**

Temp
Activer

Comment utiliser les menus de programmation

- Utiliser les touches de flèches pour sélectionner la valeur (soit °C ou °F) puis appuyer sur la touche **entrée** pour confirmer (la valeur soulignée). (Ceci affecte uniquement l'affichage local et n'est pas enregistré en mémoire—cette fonction sert d'aide de conversion seulement.)

Limite <u>°C</u>

- Utiliser les touches de flèches pour augmenter ou diminuer la valeur puis appuyer sur la touche **entrée**.

Limite <u>50°C</u>

Une alarme (ou un relais) sera déclenchée lorsque la température atteint le niveau précisé. L'écran affiche Limite Temp.



La température mesurée représente la lecture à l'intérieur de l'unité et peut différer jusqu'à 10°C de la température extérieur.

L'unité n'affiche pas la lecture de température.

Menu Cal Zero



Seulement utiliser la fonction Cal Zero lorsque l'unité n'affiche plus zéro. Voir la section [Inspection et entretien régulier](#).

Cette option permet d'ajuster le zéro de la sonde. Appuyer sur la touche entrée depuis l'écran Cal Zero pour accéder au menu : si une sonde à distance est connectée, il est nécessaire de sélectionner Z1 (sonde intégrée) ou Z2 (sonde à distance).

* Menu *
Cal Zero

Cal Zero
Z1

- Connecter le régulateur au cylindre approprié avant de commencer l'ajustement.
- Ajuster le débit selon les indications.
- Connecter le tuyau du régulateur au port d'étalonnage de l'unité. Voir [l'illustration 10](#).
- Ouvrir le régulateur puis laisser le gaz circuler pendant 3 minutes avant de démarrer l'ajustement.
- L'écran suivant demande une confirmation; utiliser les touches de flèches pour afficher **Oui** puis appuyer sur la touche **entrée** pour confirmer.

Cal Zero
Oui

Un écran de confirmation est affiché brièvement, puis l'ajustement démarre.

Un message de succès ou d'échec est affiché puis l'écran retourne au menu principal.

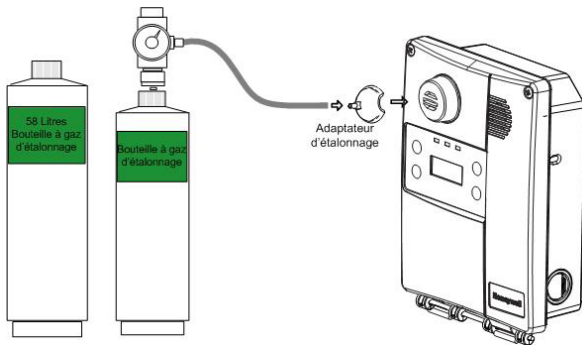


Illustration 9. Étalonnage

Menu Etalon.



ATTENTION. Si la concentration du gaz d'étalonnage excède les points de consigne d'alarme, des alarmes seront déclenchées. Soit changer les niveaux d'alarmes pour assurer qu'aucune alarme n'est déclenchée ou mettre le système entier en mode Service pour éviter d'activer des équipements externes (lumières, ventilateurs, avertisseurs).



Seulement utiliser l'option Etalon. (étalonnage) lorsque l'inspection ou l'entretien d'étalonnage le demande. Voir la section [Inspection et entretien régulier](#).

Cette option permet d'étalonner le gain de la sonde. Appuyer sur la touche entrée depuis l'écran Etalon. pour accéder au menu : si une sonde à distance est connectée, il est nécessaire de sélectionner Z1 (sonde intégrée) ou Z2 (sonde à distance).

* Menu *
Etalon.

Etalon.
Z1

- Avant de démarrer l'étalonnage, connecter le régulateur au cylindre approprié avant de commencer l'ajustement.
 - Ajuster le débit à 0.5L/min.
 - Connecter le tuyau du régulateur au port d'étalonnage de l'unité (voir [l'illustration 10](#)).
 - Ouvrir le régulateur puis laisser le gaz circuler pendant 3 minutes avant de démarrer l'ajustement.
-



À défaut de laisser circuler le gaz pendant au moins 3 minutes, il y aura un impact sur l'exactitude de l'étalonnage.

L'écran suivant permet de préciser la concentration du gaz d'étalonnage.

Etalon.
200 ppm

- Utiliser les touches de flèches pour augmenter ou diminuer la valeur puis appuyer sur la touche **entrée** pour sélectionner.
- L'écran suivant demande une confirmation

Etalon.
Yes

Comment utiliser les menus de programmation

- Appuyer sur la touche **entrée** pour confirmer. L'écran affiche la concentration au long de l'étalonnage.

Etalon. 198 ppm

Un message de succès ou d'échec est affiché puis l'affichage retourne au menu principal.

Menu ModeTest

Le menu ModeTest permet d'effectuer un essai simultané de toutes les fonctions de l'unité (relais, avertisseur, DELs, etc.) pendant 3 minutes (ou jusqu'à l'appui sur une touche) et la sortie 4@20mA est saturée à 20mA pour assurer le bon fonctionnement. L'unité n'effectue aucune fonction de détection pendant ce test.

* Menu * ModeTest

- Utiliser les touches de flèches pour afficher soit « **Oui** » ou « **Non** » puis appuyer sur la touche **entrée** pour démarrer le test.

ModeTest <u>O</u> ui

- Simplement appuyer sur n'importe quelle touche lorsque l'écran affiche « **Arret** » pour annuler le test.

ModeTest Arret

Comment utiliser les menus de programmation

Menu Quitter

Le menu Quitter quitte les fonctions de programmation puis retourne l'unité au mode d'affichage normal. Appuyer sur la touche **entrée** pour quitter le mode de programmation.

* Menu * Quitter?

Menu Memoire



Ce menu est réservé aux techniciens seulement et ne contient aucune valeur modifiable, ni d'informations pour l'utilisateur.

Sonde à distance

Description

Le détecteur à distance E³Point offre la surveillance continue des dangers associés aux gaz CO, H₂S, O₂, NO₂ et combustibles dans l'air ambiant. Connecté à un moniteur autonome, il offre une protection double (deuxième emplacement, différent gaz).

Information de sécurité

Les utilisateurs du détecteur à distance E³Point doivent bien comprendre les instructions d'installation, d'opération et d'entretien pour assurer la protection offerte par le détecteur. Lire les avertissements suivants avant d'utiliser le détecteur.

ATTENTION:



- **Installer selon les codes et réglementations locaux.**
 - **L'installation doit toujours être effectuée par le personnel qualifié.**
 - **Ne pas peindre le filtre de la sonde.**
 - **Maintenir le filtre de la sonde libre de toute saleté et de débris.**
 - **Ne pas couvrir le filtre de la sonde.**
 - **Ne pas exposer le détecteur aux chocs électriques ou aux chocs mécaniques continus.**
 - **Ne pas exposer la sonde à des jets d'eau à haute pression.**
 - **Ne pas utiliser le détecteur s'il est endommagé. Inspecter pour des fissures et des pièces de métal ou de plastique manquantes. Si le détecteur est endommagé, communiquer avec Honeywell Analytics sans délais.**
 - **La garantie sera annulé si le client, ou autre personnel de service, essaie de réparer l'unité.**
-

Éléments de l'unité

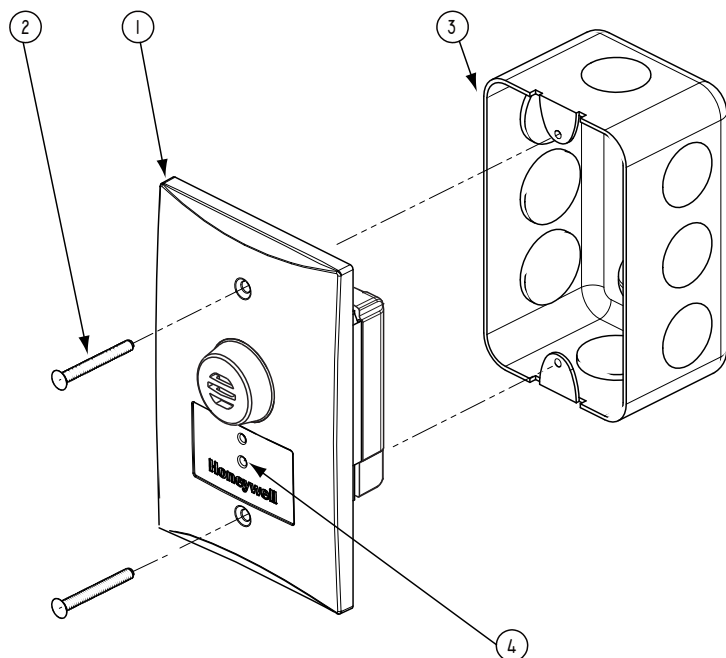


Illustration 10. Pièces du capteur à distance

1. Sonde
2. Vis d'assemblage (2) (non incluses)
3. Boîte électrique simple grand format (2 3/8") (non incluse). T&B BC1110, Hubbell 1110, OZ-Gedney 18112, Appleton 18112, Bowers 10612-BW, Steel City 68371-12. L'unité ne peut être assemblée aux boîtes en acier 4"x4" tels T&B 52C0 ou 52C13
4. Voyant DEL (clignote lors de communication avec unité principale)



Pour remplacer une cartouche de sonde, couper l'alimentation du dispositif enlever le couvercle arrière puis simplement retirer le « capteur intelligent » et mettre le nouveau en place en appuyant légèrement. Remettre le circuit sous tension lorsque le nouveau capteur est en place. Faire attention de ne pas endommager les broches lors du remplacement.

Consulter la section [Menu Alarme](#) pour les instructions concernant le changement de type de gaz ciblé.

Installation

Emplacement des sondes

Voici quelques suggestions pour être sûr de la détection du gaz ciblé. Choisir l'emplacement approprié pour chaque détecteur.

Courants d'air : S'il ya des ventilateurs, du vent ou d'autres sources de déplacement d'air, le gaz peut s'accumuler dans certains endroits de l'édifice. Toujours tenir compte des courants d'air lors de la sélection de l'emplacement. La convection de l'air peut parfois être plus importante que la densité de vapeur dans la détermination des zones d'accumulation de gaz.

Sources d'émission de gaz : au moins un détecteur devrait être installé près de la source possible de fuite.

Montage de l'unité

Le détecteur à distance E³Point est monté dans une boîte électrique grand format à prise simple fournie par le client. Simplement installer la boîte électrique selon les codes d'électricité locaux; connecter les fils du détecteur selon votre configuration (et selon les schémas de câblage de ce manuel) et affixer la plaque du détecteur à la boîte électrique.

Spécifications

Caractéristiques techniques

Alimentation :	24 Vca nominal, 17-27 Vca, 50/60 Hz, 0.35 A 24 Vcc nominal, 20-38 Vcc
Alimentation CA en option :	120 Vca nominal, $\pm 10\%$ (avec transformateur intégré) @ 0.35 A
Sortie relais :	2 relais DPDT, 5A @ 250 Vca
Environnement de fonctionnement :	Commercial, intérieur
Plage de température de fonctionnement :	H ₂ S, NO ₂ , O ₂ , Comb.: -40 à 50°C (-40 à 122°F) CO: -20 à 50°C (-4 à 122°F) Option disponible CO: -40 à 50°C (-40 à 122°F)
Plage d'humidité de fonctionnement :	15 à 90% RH sans-condensation
Résolution :	CO = 1 ppm O ₂ = 0.1% H ₂ S = 0.1 ppm, NO ₂ = 0.1 ppm CH ₄ , H ₂ , C ₃ H ₈ , = 0.1% LIE
Altitude de fonctionnement:	Maximum 2000m (6562 pi)
Alarme sonore :	> 85 dB à 3 m (10 pi)
Afficheur :	8 caractères, 2 lignes à CL
Voyants :	Vert DEL: Alimentation Jaune DEL 1: Alarme/Faute Jaune DEL 2: Transmission
Boîtier :	Polycarbonate
Dimensions (H x L x P) :	20.56 x 14.90 x 6.72cm (8.09 x 5.87 x 2.65")
Vitesse de transmission:	9600 (avec contrôleur 301C)
Homologations :	CSA C22.2 No. 61010-1, UL61010

Caractéristiques de détection E³Point

Type de sonde	Gaz	Plage	Unité de mesure	Niveau alarme A	Hysteresis alarme A
Électrochimique	CO	0/250	ppm	25	-5.0
Électrochimique	O ₂	0/25	%	19.5	0.5
Électrochimique	H ₂ S	0/50	ppm	10.0	-1.0
Électrochimique	NO ₂	0/10	ppm	0.7	-0.1
Combustion catalytique	CH ₄	0/100 (5.0% v/v)	% LIE	25.0	-5.0
Combustion catalytique	H ₂	0/100 (4.0% v/v)	% LIE	25.0	-5.0
Combustion catalytique	C ₃ H ₈	0/100 (2.1% v/v)	% LIE	25.0	-5.0
	Valeurs LIE selon IPCS				

La précision est la différence de la moyenne de 10 étalonnages à mi-plage et 10 étalonnage à mi-plage avec 45 % d'humidité et à 25°C. La différence est présentée en tant que pourcentage calculé de la pleine échelle.

Gaz	Niveau alarme B	Hysteresis alarme B	Niveau alarme C	Hysteresis alarme C	Précision à 25°	Résolution d'affichage
CO	100	-20	225	-20	3 %	1 ppm
O ₂	22.0	-0.5	22.5	-0.5	3 %	0.1 %
H ₂ S	15.0	-1.0	20.0	-1.0	3 %	0.1 ppm
NO ₂	2.0	-1.0	9.0	-1.0	3 %	0.1 ppm
CH ₄	50.0	-5.0	90.0	-5.0	3 %	0.1 %
H ₂	50.0	-5.0	90.0	-5.0	3 %	0.1 %
C ₃ H ₈	50.0	-5.0	90.0	-5.0	3 %	0.1 %

La précision est la différence de la moyenne de 10 étalonnages à mi-plage et 10 étalonnage à mi-plage avec 45 % d'humidité et à 25°C. La différence est présentée en tant que pourcentage calculé de la pleine échelle.

Spécifications

Spécifications du détecteur à distance

Alimentation :	Sonde électrochimique: 10-24 Vcc, 50mA Catalytique: 10-16 Vcc, 100mA
Température d'opération :	-20° à 50°C (-4° à 122°F)
Humidité d'opération :	15 à 90 % humidité relative (sans condensation)
Type de sonde :	Électrochimique (CO, NO ₂); catalytique (Comb)
Voyants :	DEL jaune (Tx) (clignote lors de communication avec unité principal)
Dimensions (PxLxH) :	3.5 x 4.5 x 6.5 cm (1.36 po x 1.75 po x 2.56 po.)
Poids :	38 g (1.34 oz.)

Plages de détection et niveaux d'alarme

Gaz détectés		Plage	Alarme A	Alarme B	Alarme C	Surcharge maximum
CO	Monoxyde de carbone	0-250 ppm	25 ppm	100 ppm	225 ppm	500 ppm
H ₂ S	Sulfure d'hydrogène	0-50 ppm	10 ppm	15 ppm	20 ppm	150 ppm
NO ₂	Dioxyde d'azote	0-6 ppm	0.72 ppm	2 ppm	9 ppm	1000 ppm
O ₂	Oxygène	0-25% vol	19.5% vol.	22% vol.	22.5% vol	100 % vol
COMB	Combustibles	0-100% LIE	25% LIE	50% LIE	90% LIE	100 % LIE

La surcharge maximum est l'exposition de la sonde à une concentration de gaz qui peut créer des dommages permanent à la sonde.

Dépassement d'échelle du capteur

- Un dépassement d'échelle est constaté lorsque le niveau de concentration de gaz détecté est supérieur à la valeur de pleine échelle du capteur.
- En cas de dépassement d'échelle, le message « OVR RANGE » s'affiche sur l'écran LCD et l'avertisseur sonore retentit 50 millisecondes, une fois toutes les 10 minutes.
- La LED clignote toutes les secondes en fonctionnement normal mais deux fois par seconde en cas de dépassement d'échelle.
- Lorsque la concentration de gaz repasse dans l'intervalle de pleine échelle de la cellule, l'avertisseur sonore s'arrête et la concentration actuelle s'affiche sur l'écran LCD.
- Après un dépassement d'échelle, un astérisque apparaît juste après le niveau de concentration comme suit :

xxxPPM*

où xxx correspond au niveau de gaz actuel. Pour les capteurs de gaz combustibles et d'oxygène, le niveau s'affiche comme suit : xx.x%*, où xx.x correspond au pourcentage de la pleine échelle.

- Pour supprimer cet astérisque, appuyez sur la touche ESC pendant 8 secondes.



REMARQUE : Après un dépassement d'échelle, il est nécessaire de tester le fonctionnement du capteur pour vérifier s'il réagit toujours en présence de gaz. Il doit également être réétalonné lors de la prochaine maintenance. Reportez-vous à l'inspection périodique et à la maintenance.

Pièces pour montage standard

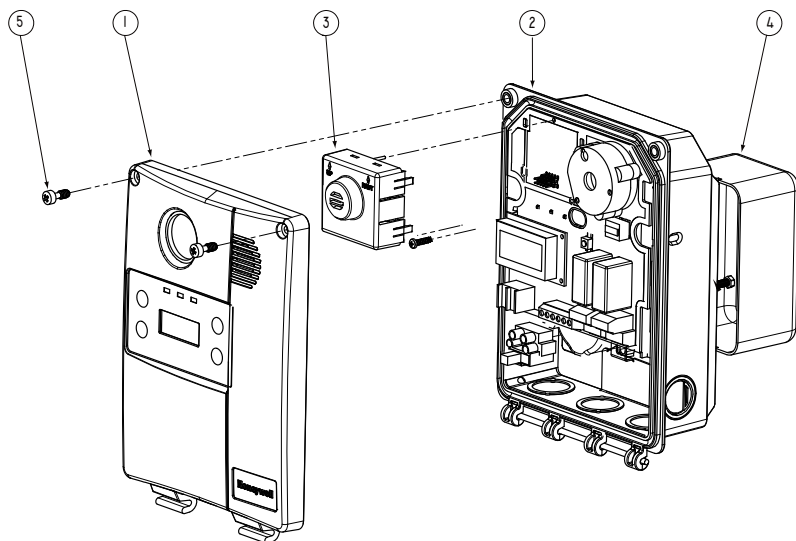


Illustration 11. Pièces pour montage standard

Numéro	Description
1	Couvercle E³Point
2	Boîtier E³Point
3	Sonde
4	Boîte électrique standard (pas inclus)
5	Vis imperdable 10-32 x 1/2" (vis inviolable également offerte en option)



Pour remplacer une cartouche de sonde, couper l'alimentation au dispositif puis simplement retirer le « capteur intelligent » et mettre le nouveau en place en appuyant légèrement. Assurer que « TOP/HAUT » est vers le haut de l'unité. Remettre sous tension lorsque le nouveau capteur est en place. Faire attention de ne pas endommager les broches lors du remplacement.

Consulter la section [Menu Alarme](#) pour les instructions concernant le changement de type de gaz ciblé.

Pièces pour montage sur gaine

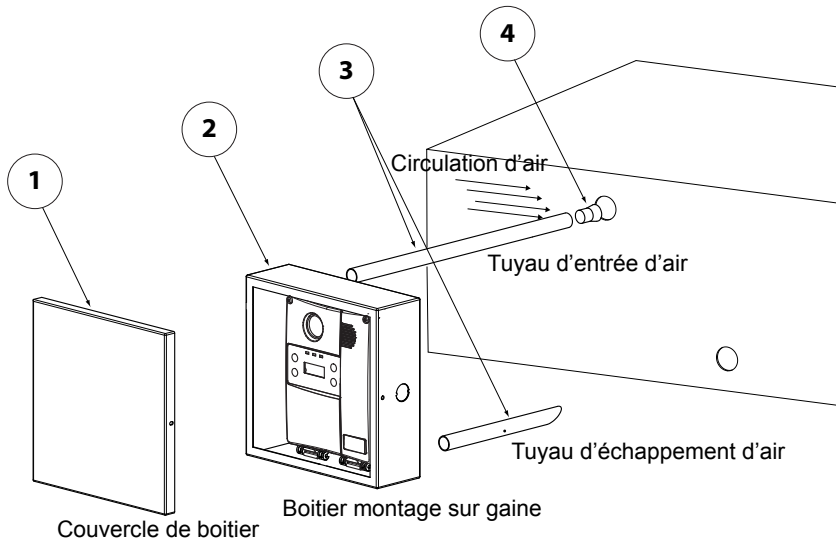


Illustration 12. Pièces pour montage sur gaine

Numéro	Description
1	Couvercle de boîtier de montage sur gaine E³Point
2	Boîtier de montage sur gaine E³Point
3	Tuyaux d'entrée et d'échappement d'air
4	Liège (pour tuyau d'entrée d'air)

Spécifications

Inspection et entretien régulier

Cette unité nécessite une inspection régulière et un test de gaz. La fréquence est en fonction des conditions d'utilisation, incluant les extrêmes de température et l'exposition aux contaminants ou aux gaz. Les kits de calibrations peuvent être commandés chez Honeywell.

Au minimum, les transmetteurs E³Point devraient-êtré vérifiés/testés en effectuant un « Bump Test » une fois tout les six mois, ainsi qu'étalonnés une fois tout les 12 mois.

Bump test : Injection de gaz d'étalonnage sur la cellule de détection pour valider la réaction.

Entretien

L'unité fournira plusieurs années de service avec un minimum d'entretien.

- Inspection visuelle à des intervalles régulières pour assurer l'état d'opération idéal (aucun bris, filtre de sonde sans blocage, etc.).
- Il est essentiel de maintenir un registre exacte de tout entretien, test de gaz et d'étalonnage pour assurer le service approprié de ce produit.
- Ne pas exposer le détecteur aux jets d'eau à haute pression, ni aux solvants.
- Nettoyer l'extérieur avec un linge doux et humide. Ne pas utiliser de solvants, de savons ou de produits à polir.
- Ne pas plonger l'unité dans des liquides.

Durée de vie de la sonde

La durée de vie de la sonde peut être affectée par les conditions d'utilisation ou par l'exposition à des concentrations au delà de la plage de détection.

Type de sonde	Caractéristiques (typiques) de durée de vie
CO	6 ans, utilisation normale à des températures > -10°C
H ₂ S	3 ans, dans l'air
NO ₂	3 ans, dans l'air
O ₂	3 ans jusqu'au moment que les lectures sont à 85 % de l'entrée originale de 20.9 %
COMB	3 ans, dans l'air

Dépannage

Lorsque des erreurs surviennent avec le E³Point, l'écran affiche un code d'erreur à 2 chiffres. Le tableau ci-dessous donne l'explication de chacun de ces codes. **Contactez le Service Technique si un de ces codes est affiché.**

Code erreur	Description
01	Erreur eeprom sur carte de circuit principale
02	Erreur d'alimentation sur carte de circuit principalée
03	Erreur eeprom sur carte de circuit de sonde
04	eeprom non configuré sur carte de circuit de sonde
05	Défaut ADC sur carte de circuit de sonde
06	ADC haute saturation/écrêtage sur carte de circuit de sonde
07	ADC basse saturation/écrêtage sur carte de circuit de sonde
08	Gain de la plage de sonde non étalonné
09	Sonde ne répond pas à l'étalonnage du gain
10	Sonde instable pendant l'étalonnage
11	Gain de plage de sonde trop élevé
12	Gain de plage de sonde trop bas
13	Ligne de base de sonde pas étalonné
14	Décalage de ligne de base de sonde trop élevé
15	Décalage de ligne de base de sonde trop bas
16	Autotest (reflex) échoué. Voir la section Surcharge de la sonde.
17	Fin de vie de sonde atteinte
18	Sonde nécessitant étalonnage
19	Signal ADC du capteur de température trop élevé
20	Signal ADC du capteur de température trop bas
21	Surcharge d'alimentation causé par la présence de deux sondes haute puissance
22	Erreur de communication de sonde à distance

Si une sonde de O₂ affiche 0% et est en Alarme A lorsque pas d'azote est présent, le capteur est possiblement défectueux ou absent. Appeler le Service Technique

Garantie limitée

Garantie limitée

Honeywell Analytics, Inc. garantie à l'Acheteur original et/ou au client final (« Acheteur ») de produits Vulcain (« Produit ») que si une pièce quelconque du produit s'avère défectueuse, soit en matériel ou en main d'oeuvre, dans les douze (12) mois, cette pièce sera réparée ou remplacé, sans frais, à la discrétion d'Honeywell Analytics si expédié, port payé, à Honeywell Analytics au 4005 Matte Blvd., Local G, Brossard, Quebec, Canada, J4Y 2P4, dans l'emballage d'origine ou l'équivalent. Le Produit sera retourné au client port payé si Honeywell Analytics détermine que la pièce est défectueuse en raison de défaut matériel ou de main d'oeuvre. La réparation ou le remplacement d'une telle pièce défectueuse représente la seule et exclusive responsabilité d'Honeywell Analytics sous cette garantie limitée.

Politique de Retour

Les frais suivants seront applicables lors de retour de produit pour crédit :

Des frais de retour de 15% seront appliqués lorsque le produit est retourné dans le 1er mois suivant la date d'expédition

Des frais de retour de 30% seront appliqués lorsque le produit est retourné dans les 3 mois suivant la date d'expédition

Un crédit total (moins les frais de retour) sera uniquement appliqué si le produit est en parfait état de fonctionnement. Si des réparations sont nécessaires sur le produit retourné, les frais de cette réparation seront déduit du crédit.

Aucuns crédits ne seront appliqués pour les retours après les 3 mois suivant la date d'expédition.

Exclusions

Si des capteurs de gaz font partie du Produit, le capteur est couvert par une garantie limitée de douze (12) mois du fabricant.

Si les capteurs de gaz sont couverts par cette garantie limitée, le capteur sera assujéti à l'inspection par Honeywell Analytics pour l'exposition prolongée à des concentrations de gaz élevées si l'Acheteur fait une réclamation sous cette garantie limitée. SI l'inspection indique

Garantie limitée

que la cause de la défectuosité est l'épuisement du capteur plutôt qu'un défaut, cette garantie ne s'appliquera pas au Produit.

Cette garantie limitée ne s'applique pas au produits consommables, tels les piles, ou les articles sujets à l'usure ou au remplacement régulier, incluant les lampes, les fusibles, les valves, les aubes, les éléments de sonde, les cartouches ou les éléments de filtres.

Limitation et exclusion de la garantie

Honeywell Analytics n'aura aucune autre responsabilité sous cette garantie limitée. Toutes responsabilités de garantie d'Honeywell Analytics sont annulées si le Produit a subi des abus, de la négligence, un accident ou si l'Acheteur est en défaut de ses obligations tels que décrit dans cette garantie ou si le Produit n'a pas été utilisé selon les instructions ou si le numéro de série du Produit été enlevé ou modifié.

Dénégation de responsabilité d'autres garanties

La garantie ci-haut est la seule garantie applicable à cet achat. Toutes autres garanties, soit implicites ou exprès, incluant mais pas limité à, les garanties tacites de qualité marchande ou de l'aptitude à un emploi particulier sont dénuées par le présent document.

Limitation de responsabilité

Il est entendu que la responsabilité d'Honeywell Analytics, soit en contrat, en délit civil, sous n'importe quelle garantie de responsabilité, en négligence ou autrement n'excédera pas le prix d'achat payé par l'Acheteur pour le produit. Honeywell Analytics ne sera pas responsable, sous aucune circonstance, pour des dommages spéciaux ou indirectes. Le prix déclaré pour le produit est une considération limitant la responsabilité d'Honeywell Analytics. Aucune action, en quelle forme que soit, survenant des transactions sous cette garantie peuvent être entreprises par l'Acheteur plus d'un an après l'occurrence de la cause de ces actions.

**Pour renseignements/
Find out more**

www.honeywellanalytics.com

Coordonnées / Contact

Honeywell Analytics Inc.

4005 Matte, Suite G

Brossard, Quebec,

Canada, H4Y 2P4

1-800-563-2967

www.honeywellanalytics.com

**Services techniques /
Technical Services**

www.haservice@honeywell.com

1998M0768 revision 6

April 2012

©2012 Honeywell Analytics