

# MONOXIVENT<sup>®</sup>

Source Capture Systems

## Operation and Maintenance Manual

### 15000 Series Exhausting Arm - Wall Mount

Models: 15076/15106/15146



**MONOXIVENT - SOURCE CAPTURE SYSTEMS**

1306 Mill St., Rock Island, IL 61201  
877-608-4383 - [info@monoxivent.com](mailto:info@monoxivent.com)  
[monoxivent.com](http://monoxivent.com)

## Assembly Information

### Receiving

Check all packages for shipping damage. If damage is found then you as the receiver must note the damage at the time of receipt or contact the carrier and file a damage receipt claim. **As the receiver, this is your responsibility.**

### General information for the 15000 arm wall/column mounting

There will be some assembly required for the arm, elbow, and mounting bracket. Please check for all components before starting.

1. Check all components for wall/column mount arm.

1. Black steel wall/column mount bracket
2. Swivel 90 degree elbow with mounted nylon pivot ring
3. Steel 360 degree clam with rubber seal
4. Arm complete with hood, hose, and base
5. Duct connection flange or direct mount fan

2. Select desired mounting location. Be sure to inspect the structure where the arm is to mount. Structure should be secure and solid.

3. First take the mounting bracket and be sure to bolt solid to support structure. Be sure and make bracket square using levels.

4. Slide hose away from the base bracket. Please note there is a bolt with a red-painted head. This bolt is in a hole marked 2. Remove this bolt and pivot the bracket 90 degrees so the hole marked 1 will line up with the hole in the bracket. Now replace the red bolt and nut and bring to a snug fit. *(see attached drawing)*

5. Attach the 90 degree elbow to the arm bracket. Note the elbow and the bracket have small mating flanges. There is a rubber gasket that seals the flanges of the elbow and bracket. Install the steel metal clamp over the rubber gasket and flanges. **Be sure that the elbow and arm are in perfect vertical position before tightening clamp.**

6. With assistance, mount the assembled arm and elbow to the mounting bracket. The elbow has a mounted 8-hole black nylon swivel collar. Locate and bolt the arm, elbow, and black nylon collar to the bracket by the 8 holes. Snug the bolts to hold the elbow to the mounting bracket. **Do not over tighten bolts.** Be sure elbow/arm swivel freely at the bracket.

---

## **Assembly Information**

**7.** The arm will need final adjustment/tuning for easiest movement and to stay in place upon positioning. You will find friction pads and adjustment pivot joints in four (4) places. 1. Pivot point at the bracket. 2. Pivot point in the center of the arm. 3 & 4. Pivot points at the hood location. Only put enough tension on these pivot joints to hold the arm in any position it is placed. The arm final adjustment is key to the arm being user friendly. **Do not over tighten the pivot joint friction disks.** Depending on arm usage and movement, occasional adjustments may be required. Based upon the arms application, cleaning of the internal support structure may require scheduled cleaning.

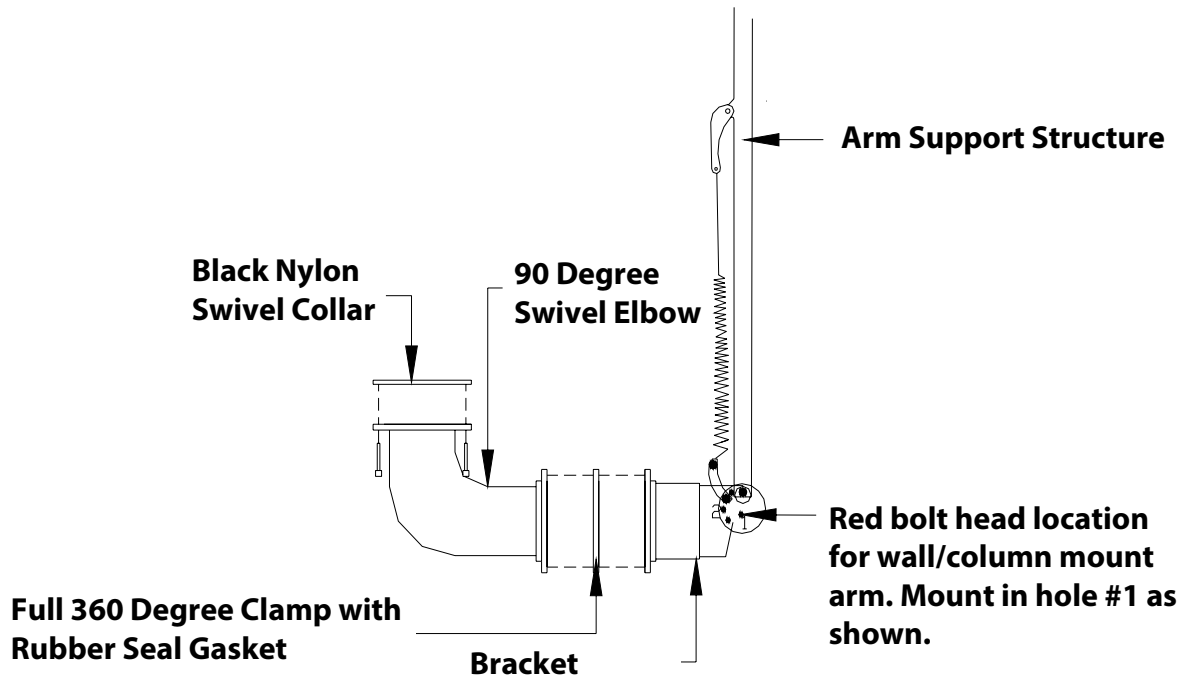
**8.** The arm has been ordered to either connect to a central duct system or to have its own direct mount fan to mount directly on top of the wall bracket. (*see enclosed data on the flange & direct mount fan*)

**Please contact the factory for any questions or further assistance.**

## Assembly Installation Drawing

The drawing shows the 90-degree elbow clamped to the bracket base for the arm. The drawing also shows how the bracket has been re-positioned so the bracket is 90-degrees to the arm support structure. The arm may have been supplied with the bracket as shown, or it may be in a different position. Step 4, of the instructions, states how to locate the red bolt and remove from Hole 2 and rotate the bracket 90-degrees; Line up Hole 1 and replace the red bolt into Hole 1. This drawing shows proper positioning of bracket.

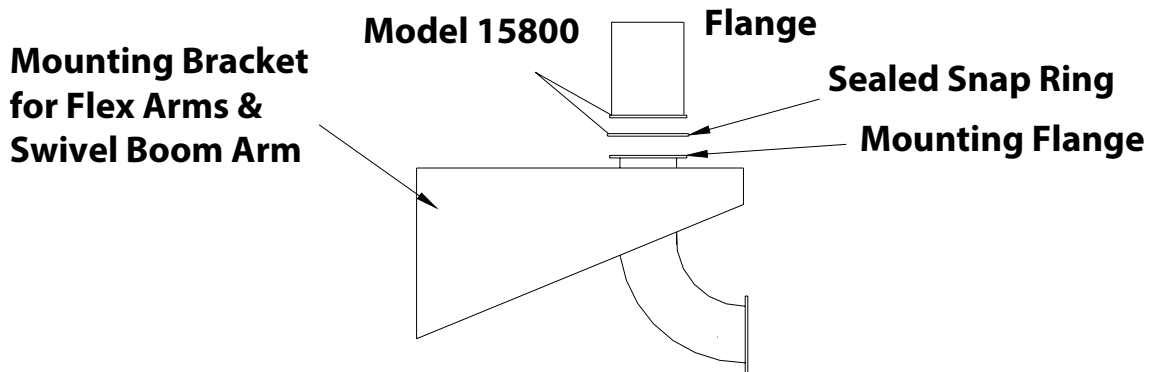
**Note: Black 90-degree elbow mounts to the wall/column bracket or to vertical duct (for Series 15000-D applications).**



**This is the new location for the red bolt.  
This is how the joint should look when  
it is ready to be mounted.**

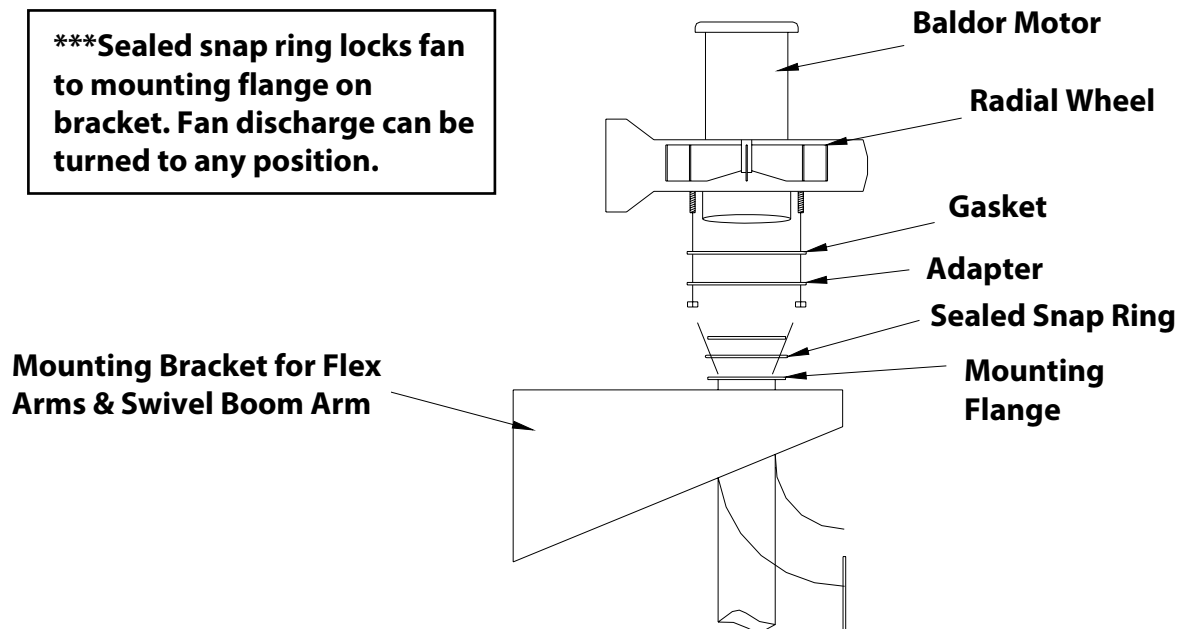


## Connecting Hard Duct from Arm to Main Duct



## Connecting Direct Mount Fan to Arm & Boom

\*\*\*Sealed snap ring locks fan to mounting flange on bracket. Fan discharge can be turned to any position.



**Exploded View of Series 15000 Arm for  
Wall/Column Mount**

